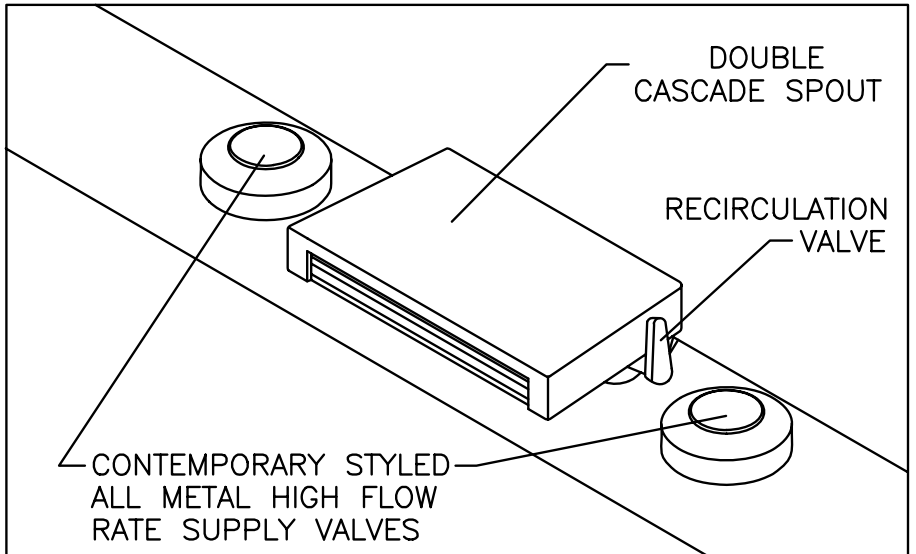
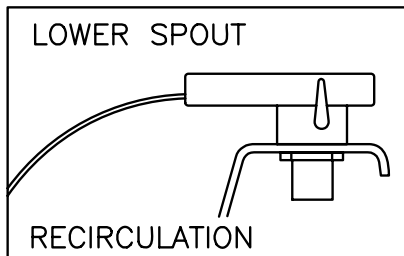
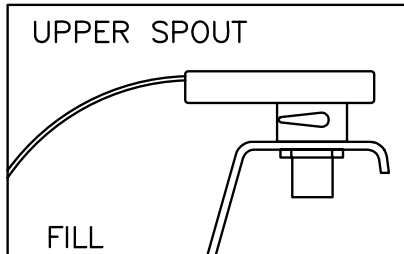


INSTALLATION INSTRUCTIONS

JASON DOUBLE CASCADE SPOUT® AND FAUCET SET



Jason's exclusive, patented, Double Cascade Spout® and high flow rate supply valves are designed especially for whirlpool baths. This unique product provides two separate cascades of water. The upper is combined with high flow rate valves for filling the bath. The lower provides a restful cascade of water by recirculating the bath water during whirlpool bathing.

NOTE: Installation involves drilling two 1-1/8 dia. holes for the Double Cascade Spout® and two 1-1/2" dia. holes for the supply valves.

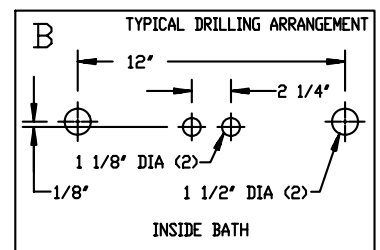
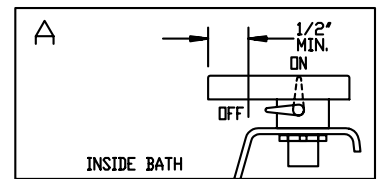
INSTALLATION

Select a deck location to mount the spout and valves that will provide; (A) direct unobstructed flow of water into the bath, (B) easy access to the recirculator valve, (C) adequate area behind the bath for plumbing, mounting nuts, and servicing.

DRILLING

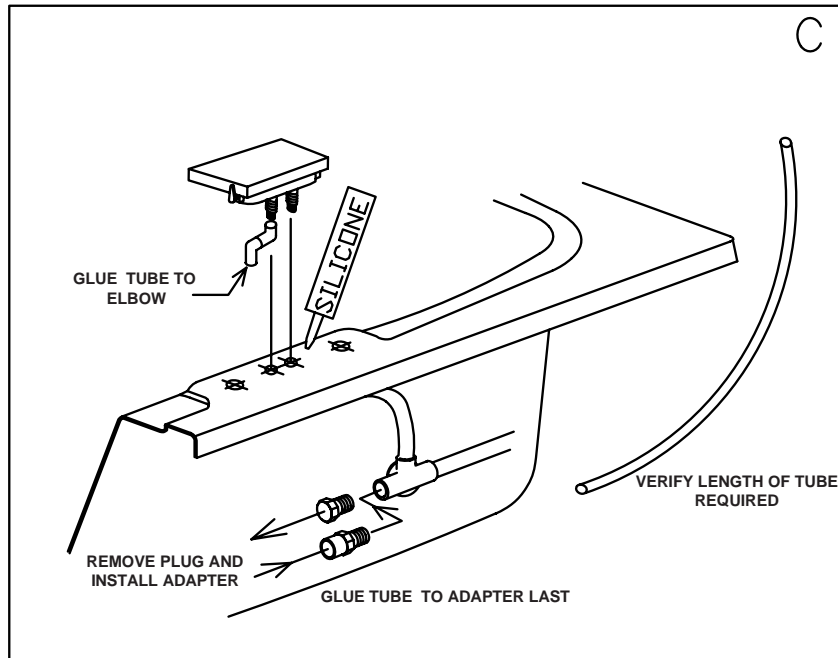
All spout and faucet holes must be drilled in the field by the installer. Cover the installation area with the included template or wide masking tape and mark hole centers with a pencil. (The template/masking tape will help prevent scratches within the area to be drilled.) First pilot drill the hole centers using a small drill; then use the appropriate hole saw and slowly drill each hole from the acrylic side of the bath. **(See fig. B for correct hole sizes).** Remove the template/masking tape, then clean the area.

NOTE: A self-adhesive drilling template for a typical drilling arrangement is included with the Double Cascade Spout®.



JASON INTERNATIONAL, INC.

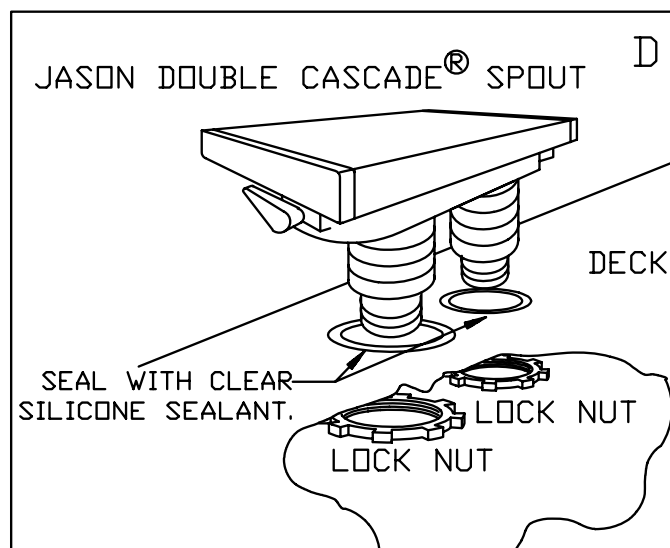
8328 MacArthur Drive • North Little Rock, AR 72118 • www.jasoninternational.com
501-771-4477 • Fax: 501-771-2333 • Cust. Svc.: 800-255-5766



DOUBLE CASCADE SPOUT® INSTALLATION INSTRUCTIONS

To mount the spout:

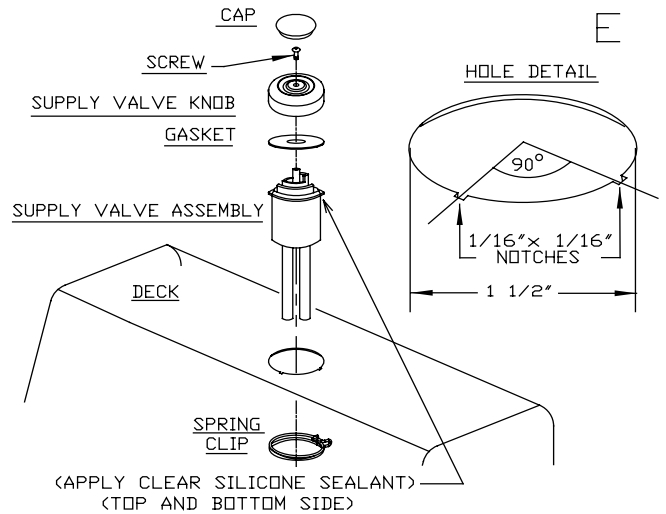
- (1) Apply a bead of clear silicone sealant around the Double Cascade Spout® mounting holes, on both the top and bottom surfaces (**See figs. C and D**).
- (2) Place the Double Cascade Spout® in position and secure with the two 3/4" diameter nuts provided (**DO NOT OVERTIGHTEN, THE SILICONE PLACED ON THE UNDERSIDE WILL SECURE THE NUTS**).
- (3) Use one of the following methods:
 - Method # 1 attach elbow "B" to spout as shown in **fig.F**. Use thread lubricant or sealant specifically designed for use on plastics.
 - Method # 2 Attach elbow "A" to spout as shown in **fig.F**. Attach elbow "A" to elbow "B" (**see fig.F**). Use method # 2 if method # 1 causes a tight bend radius that would cause a reduction in water flow.
- (4) Verify that the length of flexible PVC hose provided will reach from the spout to the nearest jet body provided with a 1/2 NPT threaded plug. If longer length is required, installer may extend the hose using standard plumbing fittings.
- (5) **Use only PVC cement** to glue flexible PVC tubing (**See fig. C and F**).
- (6) Carefully remove 1/2 NPT threaded PVC plug from jet body and install 1/2 NPT X 1/2 slip PVC male adapter provided.
- (7) Route flexible PVC hose from fitting "B" to installed male adapter and provide a slope for draining from spout back to jet body. Cut tube to fit and glue using PVC cement. Make certain there is no sagging or loops which may trap water. Support hose as necessary.



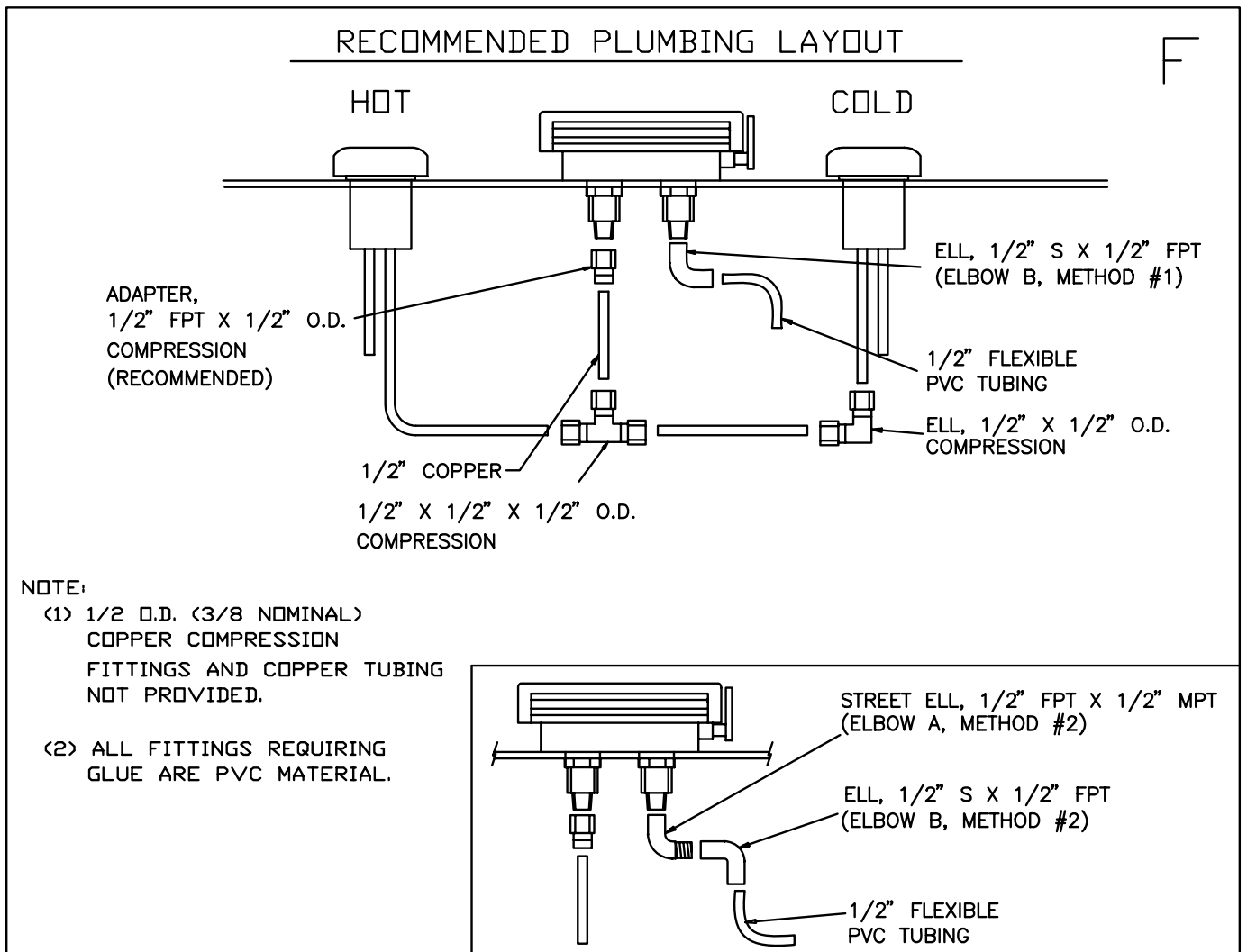
SUPPLY VALVE (FAUCET SET) INSTALLATION INSTRUCTIONS

The supply valves are mounted in the mounting cups and secured by the two screws and star washers provided. (See **fig.E**) Apply a 1/8" bead of silicone under the lip of the cup, insert the assembled cup and valve assembly into the 1-1/2" diameter hole, and secure with the 1-1/2" Clamp from the underside. Place the foam gasket over the cup and valve assembly, secure the knob to the valve stem with the stem screw provided and press the cap into place.

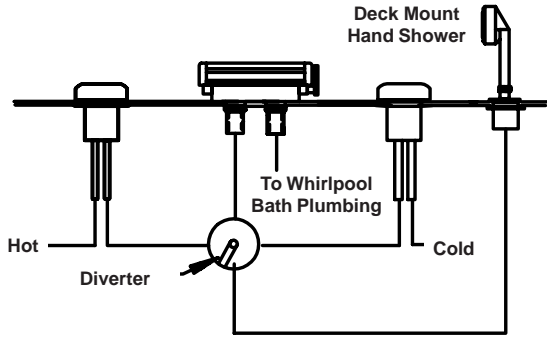
NOTE: DO NOT OVER-TIGHTEN STEM SCREW.



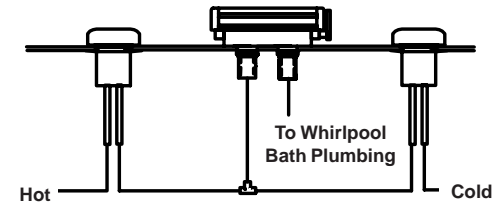
See **Typical Installations** for plumbing connections (See **fig.G** on the back of this page). All local and state plumbing codes must be observed. It is the responsibility of the installer/owner to determine specific code compliance when installing this product. Note: Some areas may require the use of vacuum breakers (back-flow prevention devices) on the supply side of this product.



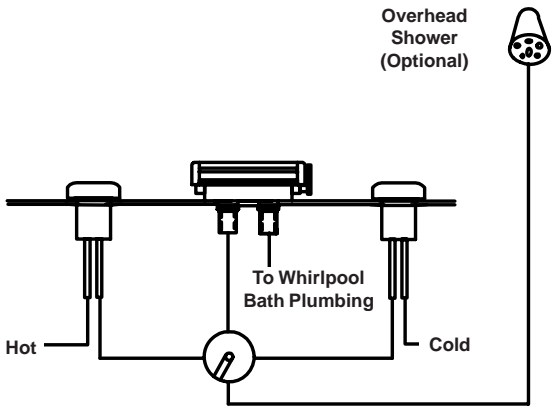
G



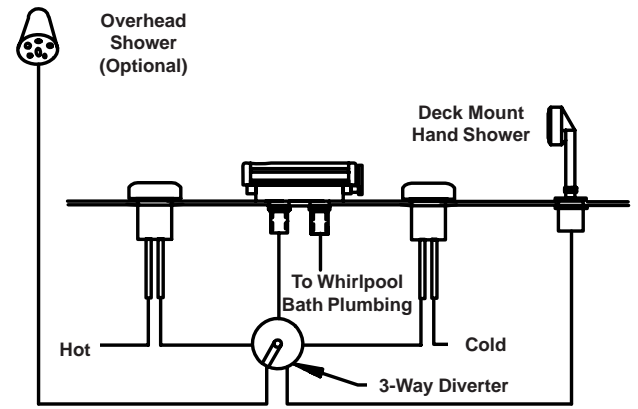
INSTALLATION WITH HAND HELD SHOWER



INSTALLATION WITHOUT SHOWER



INSTALLATION WITH OVERHEAD SHOWER



INSTALLATION W/ OVERHEAD & HAND SHOWER

TYPICAL INSTALLATIONS

ITEMS PROVIDED (INDICATED BY *)	CASCADE® & FAUCET SET	CASCADE® ONLY	FAUCET SET ONLY
1. CASCADE, SPOUT	*	*	
2. FAUCET SET (QTY. 2)	*		*
3. 90° Elbow 1/2" S x FPT *	*	*	
4. 90° Street Elbow 1/2" FPT x 1/2" MPT	*	*	
5. 1/2" NPT x 1/2" slip male adapter	*	*	
6. INSTALLATION INSTRUCTIONS & DRILLING TEMPLATE	*	*	*