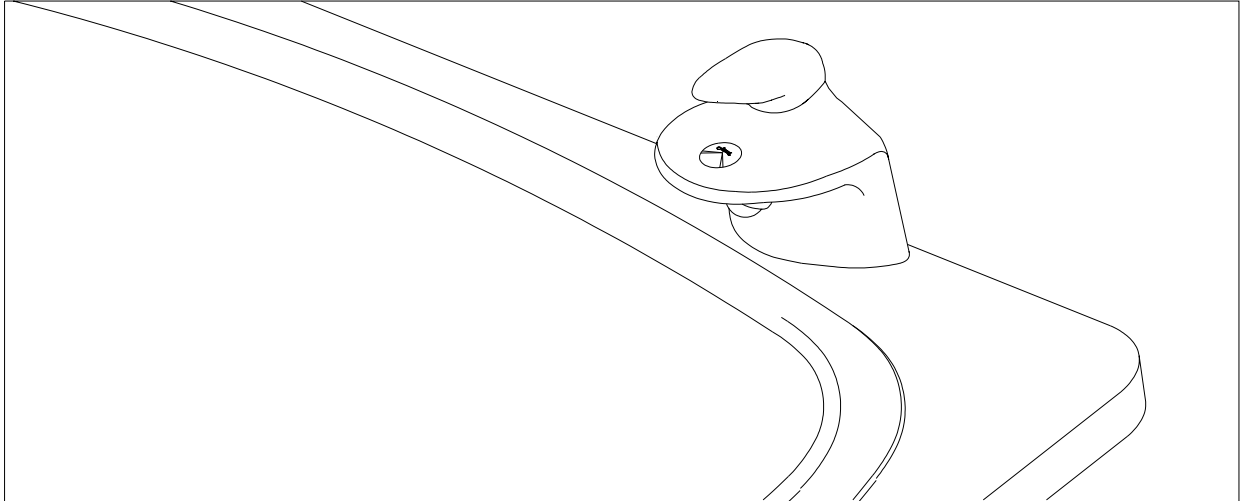


## INSTALLATION INSTRUCTIONS BELINA™ BATH FAUCET AND BELINA™ BATH FAUCET WITH DECK MOUNTED HAND SHOWER



Jason's exclusive Belina™ Single Lever Bath Faucet is a combination spout and single-lever rapid-fill faucet. Water flow and temperature are adjusted by an integrated single-lever control. It also features a high-flow, quarter-turn ceramic cartridge, providing years of trouble-free operation. The Belina™ Bath Faucet is available in polished chrome or white powder coat finish.

The Belina Bath Faucet is also available in a set with a Belina Hand Shower, deck hardware, 59" hand shower hose and back flow preventor. When furnished with a Belina Hand Shower, the Bath Faucet is provided with a built in diverter to divert the water from the spout to the hand shower.

For safety and ease of installation, Jason recommends the following tools: safety glasses, drill, flashlight, adjustable wrench, screwdriver, PTFE plumbers tape. A Belina Bath Faucet/Hand Shower template is provided with all Belina Bath Faucets.

**NOTE:** Installation of the bath faucet involves drilling two 3/8" dia. holes for the mounting screws and one 2" dia. hole for the supply valves and the Belina™ Hand Shower connector. The optional Belina Hand Shower will require a 1 1/8" hole.

### INSTALLATION

Select a deck location to mount the Faucet and optional Hand Shower that will provide: (A) direct unobstructed flow of water into the bath, (B) adequate area behind the bath for plumbing, mounting nuts, and servicing.

# DRILLING

All Faucet and Hand Shower holes must be drilled in the field by the installer. **Make sure that holes are always drilled from the finish side of the bath to prevent surface chipping.** Separate the Hand Shower 1-1/16" dia. hole portion of the template. Cover the installation areas with the included bath faucet portion of the template or wide masking tape and mark hole centers with a pencil. (The template/masking tape will help prevent scratches within the area to be drilled.) First pilot drill the hole centers using a small drill bit; then use the appropriate hole saw and slowly drill each hole from the acrylic side of the bath. **(See Fig. B for correct hole sizes).** Remove the template/masking tape, then clean the area. To drill the hole for the hand shower, cover the installation area with the hand shower portion of the template and repeat the above steps.

Figure A

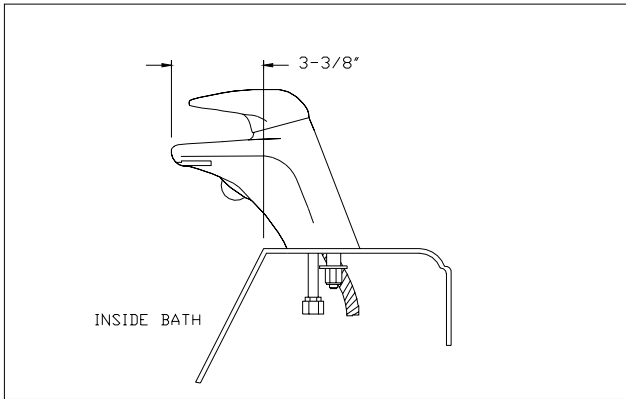
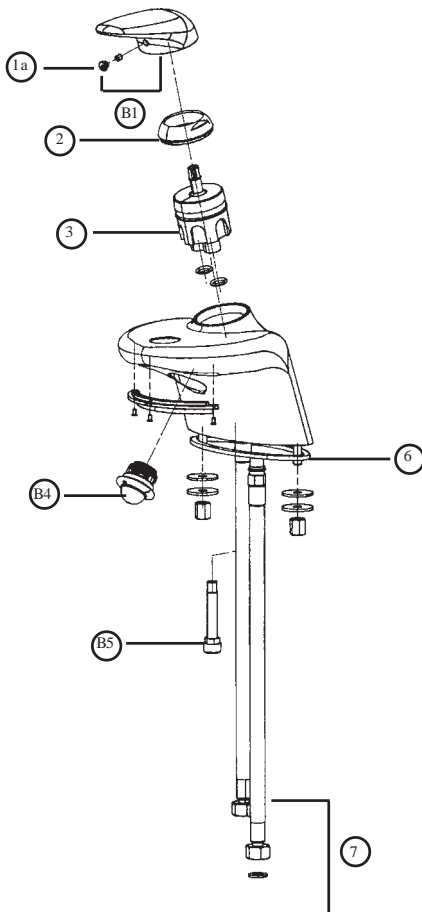
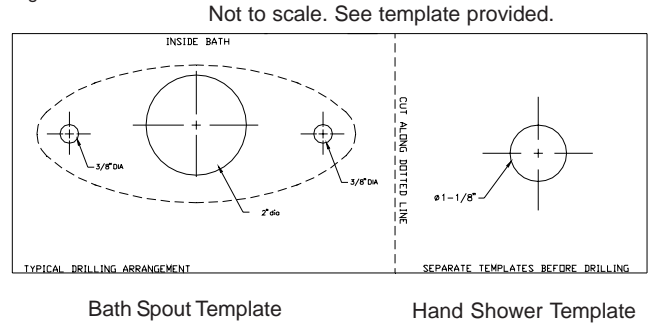


Figure B



DESCRIPTION		Spare Part Code #
		Chrome
1a	Cap for handle/bath	8722-00-230
B1	Complete handle/bath	8722-00-231
2	Locking nut for cartridge AMAZON 52x19	8722-00-232
3	AMAZON cartridge	8722-00-233
B4	Complete diverter for exposed bath mixer	8722-00-234
B5	Connection flexible for deck mounted bath	8722-00-235
6	Joint for bath mixer body (base)	8722-00-236
7	Inox flexible with O-ring - G1/2F cm 40 and amiantus washer	8722-00-237

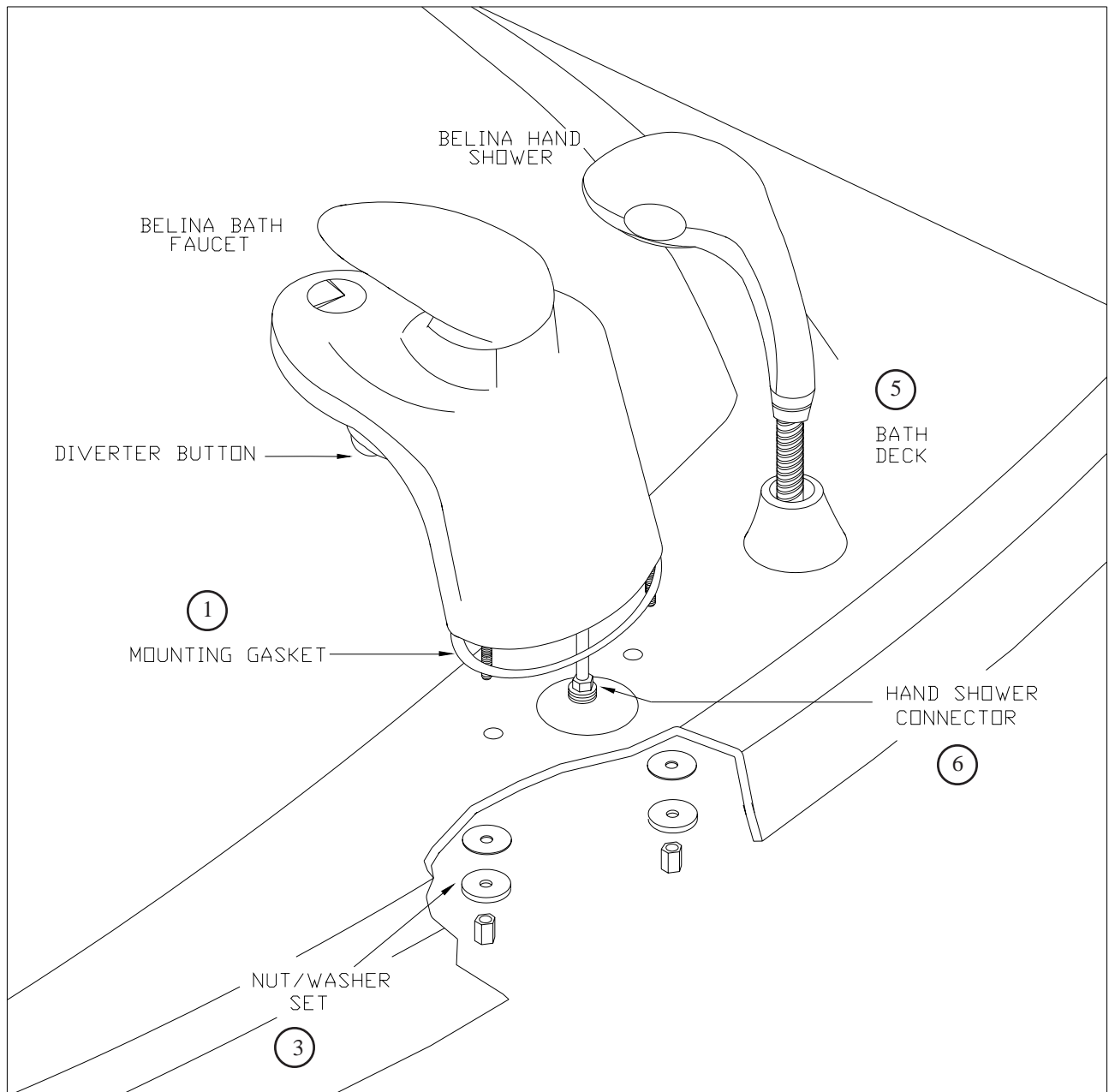
# BELINA™ BATH FAUCET INSTALLATION INSTRUCTIONS

## Mounting:

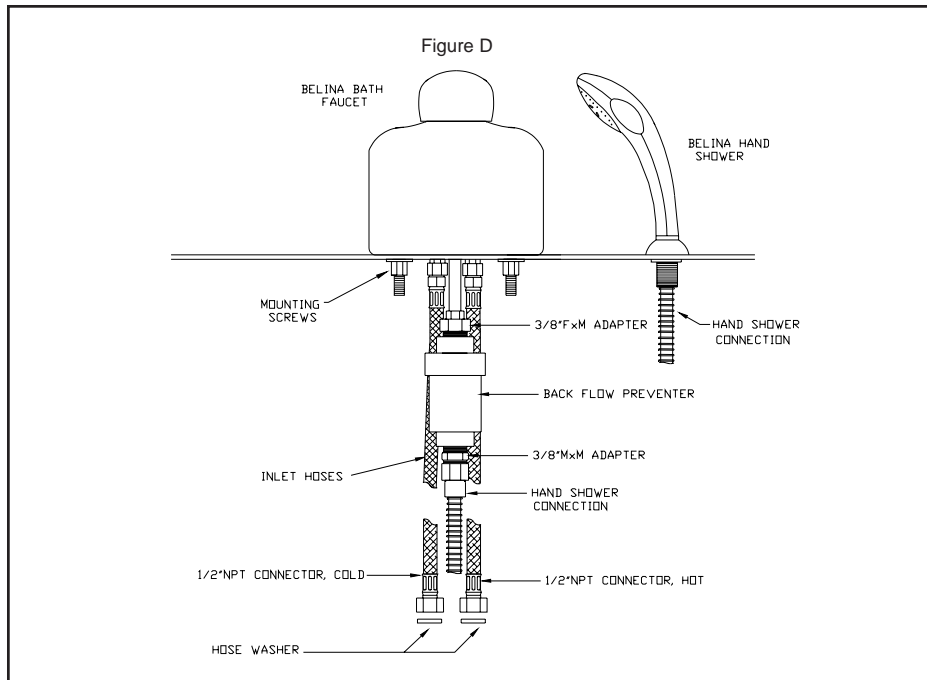
### To mount the Faucet and Hand Shower:

- (1) Insert mounting gasket to Bath Faucet bottom (see Fig. C).
- (2) Attach the provided (2) flexible supply lines to Bath Faucet (see Fig. D, page 4).
- (3) Place Bath Faucet in position and secure it with the nut and washer sets (see Fig. C).
- (4) Insert hose washers (Fig. D, page 4) and route the flexible supply lines to the hot and cold inlet supply lines.
- (5) Place Hand Shower deck mount in position and secure it with the nut and washer set. (see Fig. D, page 4).
- (6) Attach back flow preventer to the Hand Shower connector via the enclosed 3/8" FXM adapter (see Fig. D, page 4).
- (7) Attach the flexible hose to the Hand Shower and connect it to the back flow preventer via the enclosed 3/8" MXM adapter (see Fig. D, page 4).

Figure C



All local and state plumbing codes must be observed. It is the responsibility of the installer/owner to determine specific code compliance when installing this product. If a back flow preventer with vent ports is required for compliance the vent ports of the back flow preventer shall be not less than 2 inches (50.8mm) above the flood rim of the tub or fixture.



## DRILLING INSTRUCTIONS FOR PS5735 (PROMESSA) BATH ONLY

Drilling for the Belina™ Bath Faucet for Jason's PS5735 (Promessa) Bath should be performed as illustrated below. The drilling template should be placed at the rear of the deck platform. The mounting holes and the water supply hole should be drilled to avoid interfering with the overflow drain assembly.

PLACE DRILL TEMPLATE AT THE REAR OF THE DECK PLATFORM

