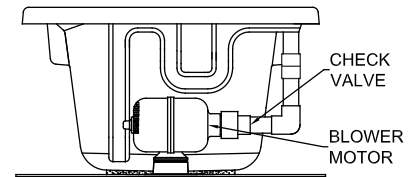
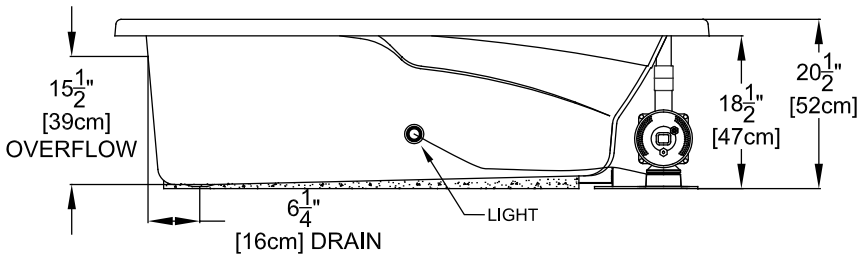
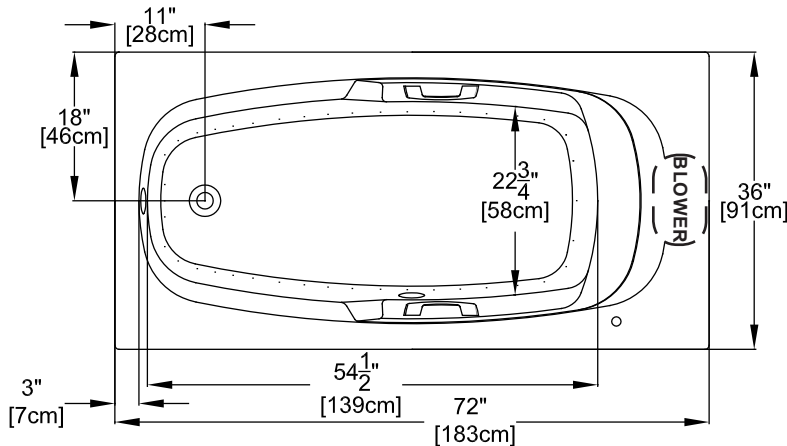


Designer Collection Specifications

AirMasseur[®] - EM630






Patents received or pending.

Note: Dimensional Tolerances: ±1/4"

- Drop-in-Hole Size:** 70" x 34"
- Operating Capacity:** 45 Gal.
- Overflow Capacity:** 69 Gal.
- Floor Loading / sq.ft.:** 44.8 lbs.
- Carton Weight:** 120 lbs.
- Cube:** 37.3 ft.³

Construction: Fiberglass reinforced acrylic bath with Level Form™ full-support base.

We provide products listed with Intertek ETL SEMKO (Edison Testing Laboratories) U.S. and Canadian and with International Association of Plumbing and Mechanical Officials (IAPMO). Consult factory with your listing requirements.

Standard	 <p>A 120V system that includes a 1HP, variable speed air blower with integral air heater; automatic purge cycle; an electronic control that operates blower and blower speed for continuous, pulse or wave massage modes; and a 20-minute timer. The keypad also operates the optional LED Chromatherapy mood light.</p>
Premier	 <p>A 120V system that includes a 1HP, variable speed air blower with integral air heater, Chromatherapy mood light, Automatic Ozone System; an electronic control that operates blower and blower speed for continuous, pulse or wave massage modes; automatic purge cycle; and a 20-minute timer. The keypad also operates the LED Chromatherapy mood light.</p>
Signature	 <p>A 240V system that includes a 1HP, variable speed air blower with integral air heater, Chromatherapy mood light, Automatic Ozone System; a digital control with LCD display window; automatic purge cycle; and a 20-minute timer. Control keypad operates the blower and blower speed for continuous, pulse or wave massage modes, LED Chromatherapy mood light and shows blower speed, water temperature and time remaining. Includes a floating Universal Remote Control that operates all functions of blower and LED Chromatherapy mood light plus TV, DVD, CD, etc.</p>