

“TO BE REMOVED FOR USE BY THE OCCUPANT.”

Jason International, Inc.
8328 MacArthur Drive
North Little Rock, AR 72118
www.jasoninternational.com
MADE IN THE U.S.A.



JASON
HYDROTHERAPY

49-2001-002
Date 11/14

INSTRUCTION MANUAL

MicroSilk® Pump Assembly

Field Installation

NOTE: These instructions can also be found in the Installation, Operation and Maintenance manual of the separately packaged MicroSilk® therapy bath unit.

WARNING: SYSTEM UNDER PRESSURE – NEVER PERFORM MAINTENANCE WHILE SYSTEM IS RUNNING.

MICROSILK® PUMP ASSEMBLY

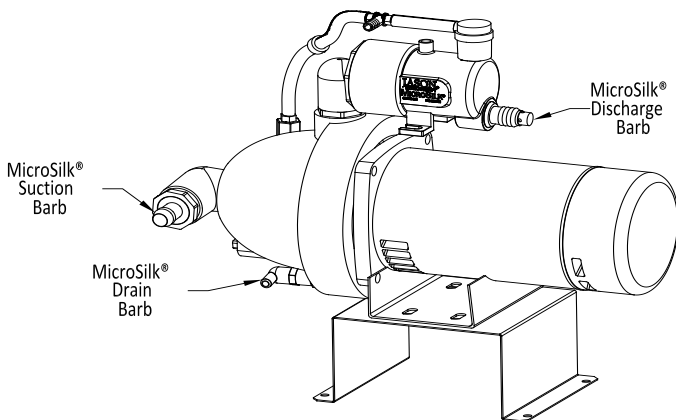


Figure 1

The Jason MicroSilk® system has been factory assembled following ETL and IAPMO guidelines. For shipping purposes, the MicroSilk® Pump Assembly may be packaged separately and disconnected from the bath.

Note: Verify the MicroSilk® Pump Assembly is the same unit that was provided for the bath being installed. The serial number listed on the label provided on the MicroSilk® Pump Assembly carton should match the serial number of the bath.

WARNING: Any modification to the equipment is not recommended and will VOID the manufacturer's warranty.

To install the MicroSilk® Pump Assembly to the bath, the following procedures must be followed.

Note: Do not install the MicroSilk® Pump Assembly further than the length of the tubing that is factory installed on the bath. These tubing lengths have been designed for proper drainage of the system.

1. Position the bath in the area of intended installation.
2. Before beginning any work, the installer is to determine the proper location of the MicroSilk® Pump Assembly and service access.
3. Do not disconnect the plumbing lines that are secured to the bath with nylon tie straps (**Figure 2**).

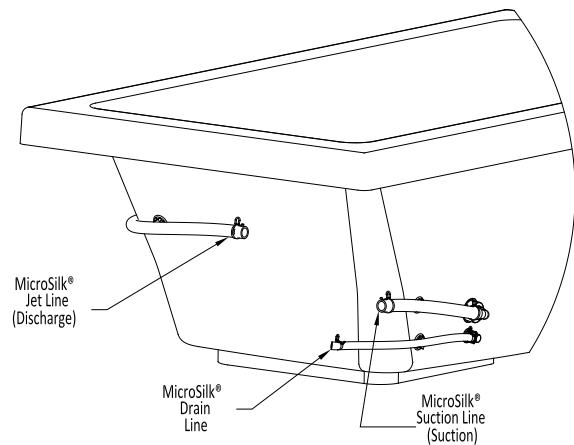


Figure 2

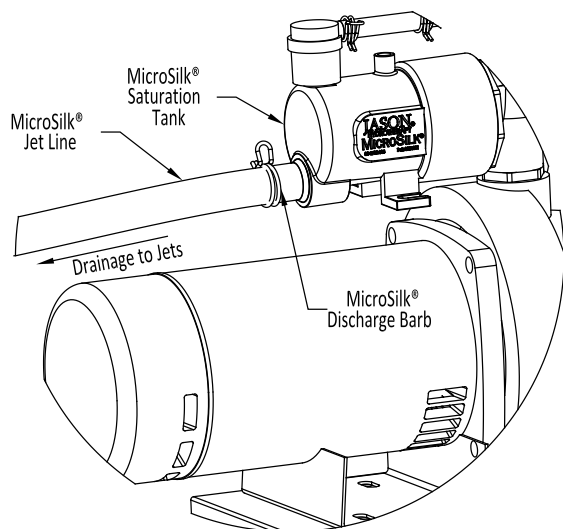


Figure 3

4. Clamp the MicroSilk® Jet Line to the MicroSilk® Discharge Barb using the clamp provided on the tubing. Assure the MicroSilk® Jet Line will allow proper drainage to the Jets (**Figure 3**). The discharge hose must have a continuous drop from the discharge barb to the jet fitting.
5. Clamp the MicroSilk® Suction Line to the MicroSilk® Suction Barb using the clamp provided on the tubing. Assure the MicroSilk® Suction Line will allow proper drainage to the suction (**Figure 4**). The suction hose must have a continuous drop from the suction barb to the suction fitting.

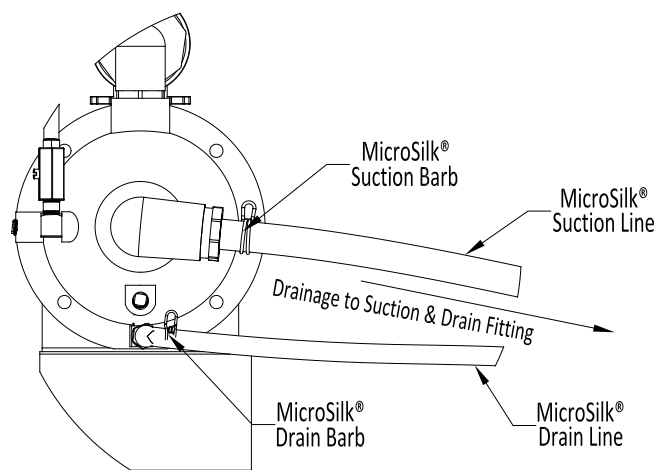


Figure 4

6. Clamp the MicroSilk® Drain Line to the MicroSilk® Drain Barb using the clamp provided on the tubing. Assure the MicroSilk® Drain Line will allow proper drainage to the drain fitting (**Figure 4**). The drain hose must have a continuous drop from the drain barb to the drain fitting.

Caution: Confirm all tubing is fully engaged on its respective barb and its clamp has secured the tubing to the barb.

7. For a MicroSilk® only or MicroSilk®-Air bath (not MicroSilk®-Whirlpool), if an Automatic Ozone Sanitation System is installed, connect the ozone system tubing to the tee above the MicroSilk® Saturation Tank with the included clamps (**Figure 5**).

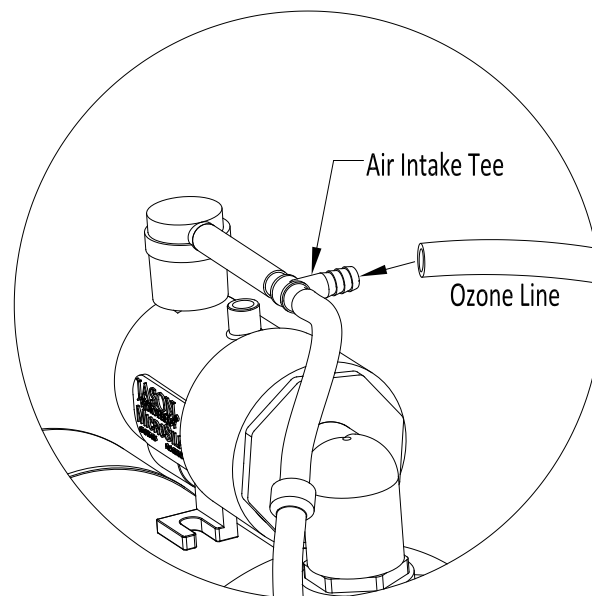


Figure 5

8. The bottom of the Pump Mount must be secured and level with the bottom of the bath. It is recommended that removable fasteners be used in case any future servicing is required.
9. Continue bath installation per the Jason Owner's Manual Installation, Operation, and Maintenance guide.