

Jason International, Inc.  
8328 MacArthur Drive  
North Little Rock, AR 72118  
www.jasoninternational.com  
MADE IN THE U.S.A.



JASON<sup>®</sup>  
HYDROTHERAPY

49-2009-000  
Date 02/17

## OWNER'S MANUAL

# AEC-2xx Acrylic Equipment Cabinet

## INSTALLATION INSTRUCTIONS

The Jason Acrylic Equipment Cabinet (AEC) can be used to house the bath equipment that cannot be remote mounted away from the bath. The cabinet is standard on freestanding MicroSilk baths and is available as an option for freestanding AirMasseur baths. To install the AEC, follow these procedures.

1. Remove the preassembled AEC assembly from the carton and detach all components from the packing board by removing the tie straps. See Figure 1

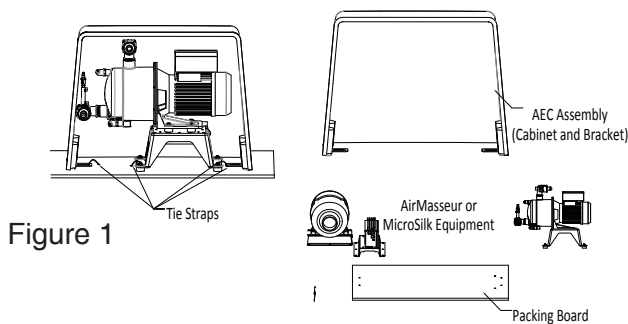


Figure 1

2. Place the AEC cabinet only in the front of the bath skirt opening. The center of the cabinet should be aligned with the center of the opening. The extrusion trim can be slightly moved to help fill any gaps between the cabinet and the bath skirt. See Figure 2

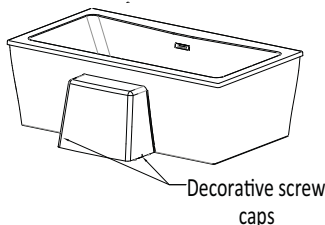
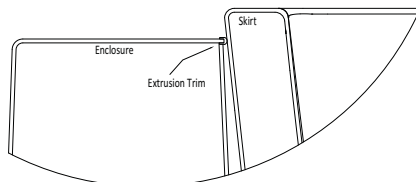


Figure 2



3. Mark on the floor, the location of the (2) decorative screw caps installed on the cabinet. See Figure 2

4. Remove the two (2) decorative caps and screws on the bottom sides of the cabinet and lift the cabinet off the metal brackets and set it aside. See Figures 3 & 4

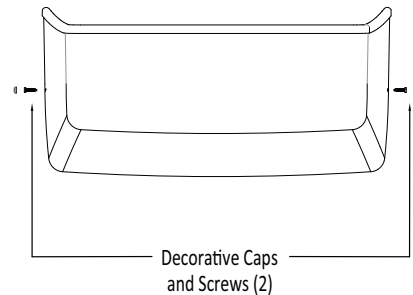


Figure 3

5. Measure 1.5" [3.8cm] from the marked location of the decorative screws and use the (2) included #12 screws to attach the brackets to the floor at these locations. See Figure 4

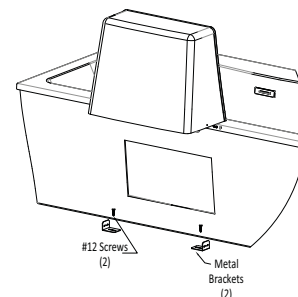


Figure 4

6. Place the equipment between the brackets and attach all the plumbing and electrical connections. See Figure 5a for AirMasseur and 5b for MicroSilk baths.

# INSTALLATION INSTRUCTIONS

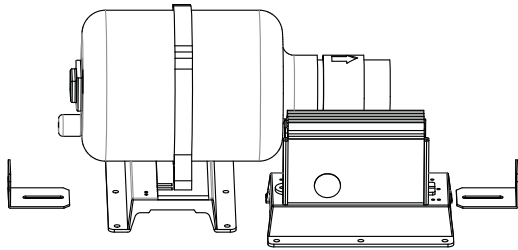


Figure 5a

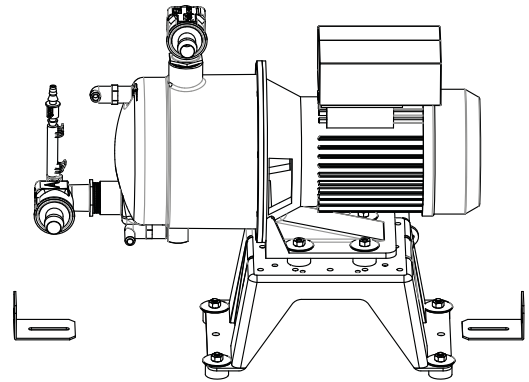


Figure 5b

**Note:** The electrical service can be provided inside or outside the enclosure. Refer to the Electrical section of the bath installation manual for service requirements.

7. For MicroSilk baths, clamp the plumbing lines to the appropriate barb using the clamps provided. Assure the line will allow proper drainage to the bath fitting. The hose must have a continuous drop from the barb to the fitting. See Figures 6a & 6b

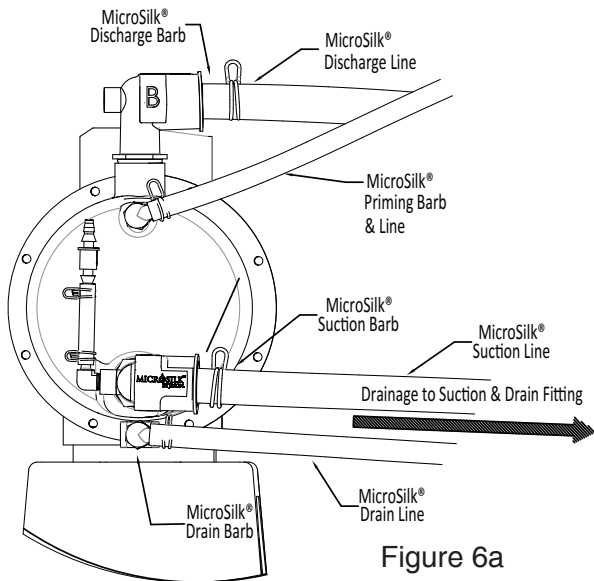


Figure 6a

MicroSilk® Pump Connections

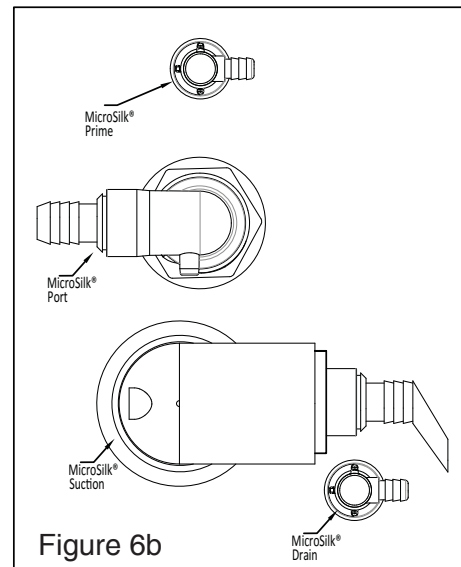


Figure 6b

MicroSilk® Bath Connections

8. Fill the bath and test all connections for leaks.

9. Place the cabinet over the brackets and attach with the two (2) screws and decorative caps.