

CSK60 - DSK55 Skirt Installation Instructions

The skirt is designed with removable covers. This provides access for servicing of the whirlpool pump, control equipment, faucet, and over-flow drain.

Included with the skirt:

- (1) Instructions
- (2) #10 x 1" screw

The skirt has been pre-assembled to the bath at the factory. The only necessary steps required to complete the skirt installation are listed below.

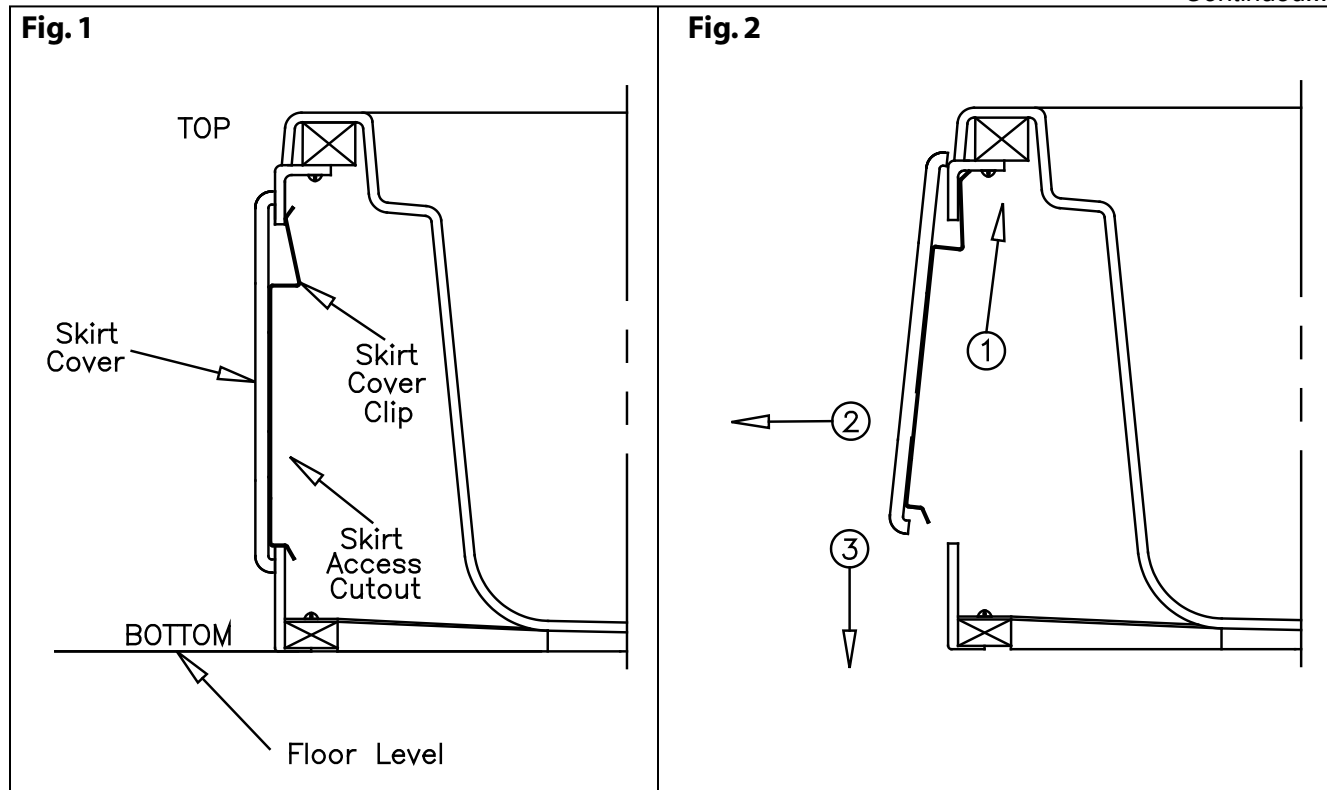
Suggested tools: Phillips head screwdriver, drill, level, and/or square.

Inspection: Inspect the skirt for damage prior to installation. Damage sustained in transit is the responsibility of the carrier. If transit damage is discovered, notify the carrier immediately and file a freight claim with them.

Pre-Installation

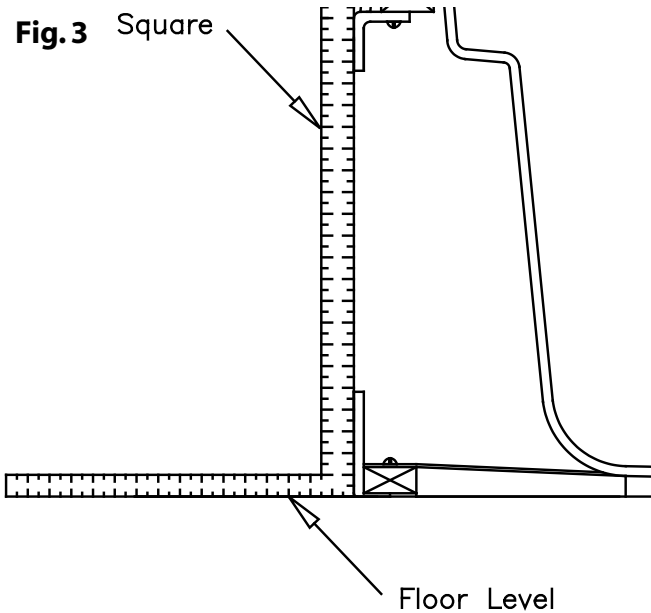
1. Ensure that the wall structure is plumb and square to the floor.
2. Remove integral skirt cover (See Fig. 1 & Fig. 2). Lift the integral skirt cover by the lower edge until the inner skirt cover clips are above the bottom of the skirt access cutouts. Gently pull the skirt cover out and down, away from the skirt cover access cutouts, **only far enough to clear the access cutouts**. The skirt cover will completely disengage itself from the whirlpool, giving access to the whirlpool system.

Continued...



INSTALLATION

1. Install the whirlpool bath unit as required.
2. Connect electrical service and check for proper operation of all equipment (whirlpool models only).
3. Assure that the ends of the skirt are square with the floor (See Fig. 3) If needed, install two (2) #10 x 1" screws into the two (2) pre-drilled holes on each end of the skirt to secure the skirt to the floor (See Fig.3).



4. Install integral skirt covers (See Fig. 4). Center the skirt cover below skirt cover access cutouts of the bath. Lift the skirt cover, angling it slightly until the upper skirt cover clip engages the top of the skirt access cutouts. Continue lifting the skirt cover until the bottom skirt cover clip clears the bottom of the skirt access cutouts. Gently push the bottom of the skirt cover in and down until the bottom of the skirt cover clip engages the bottom of the skirt access cutout.

