

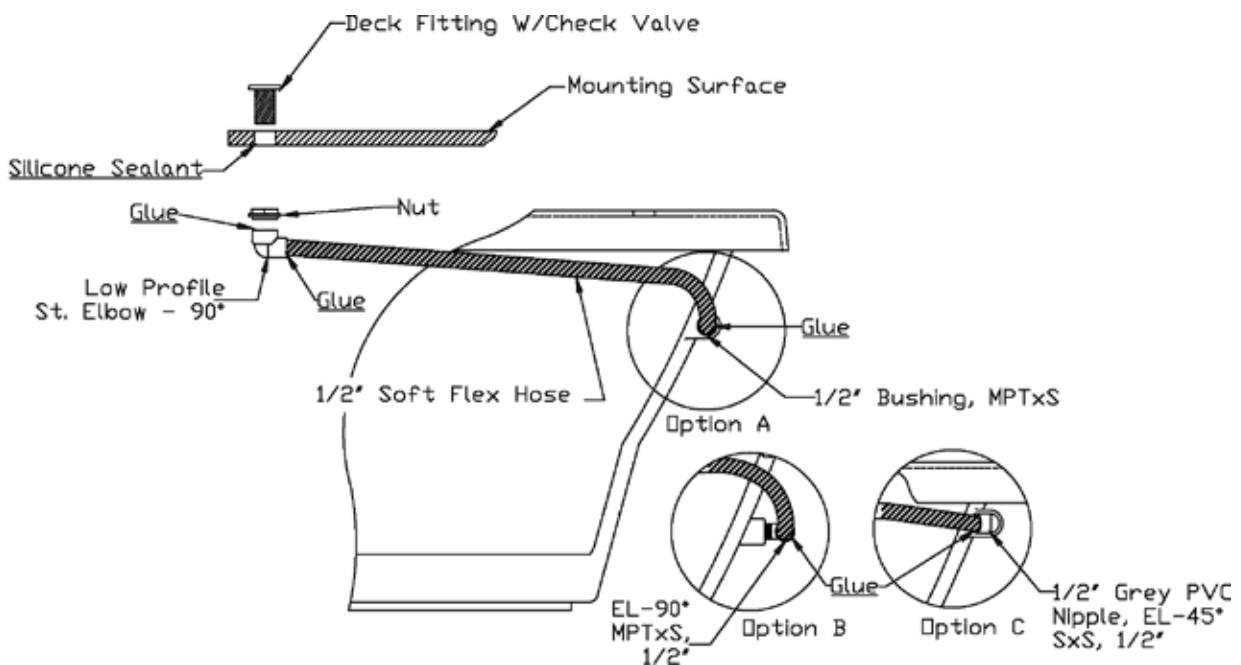
INSTALLATION INSTRUCTIONS

Field Installed Sani-Design™ Cleaning System for forma™ and Designer Undermount AirMasseur™ and AirWhirlpool Baths

After the bath is received, the undermount material (maximum 3/4" thick) should be marked and drilled with a 1-1/8" drill, so that the hole lines up with the predrilled hole in the bath deck. If the installer desires to move the 1-1/8" hole and place the deck fitting in a different location, the following steps should be followed:

- Check Under Bath for any obstructions
- Determine distance to new hole location and assure that the included flex hose will be a sufficient length. (**NOTE: The Sani-Design™ Cleaning System for Designer AirMasseur™ will only be shipped disassembled for undermount installation if so ordered.**)

To install the Sani-Design™ Cleaning System Deck Fitting, glue fittings and hose together with PVC glue as illustrated in Fig. 1. **Caution:** Do not crimp hose when installing. The hoses should be cut to the proper length to assure that the hose drains completely. After assembly and PVC glue has dried, fill the bath with water to the bottom of the overflow and run the blower for five (5) minutes. While the bath blower is running, check for any leaks in the assembly. Turn the blower off and then pour water into the Sani-Design™ deck fitting. Check for any leaks in the assembly.



JASON INTERNATIONAL, INC.

8328 MacArthur Drive • North Little Rock, AR 72118 • www.jasoninternational.com
501-771-4477 • Fax: 501-771-2333 • Cust. Svc.: 800-255-5766