

Jason International, Inc.
8328 MacArthur Drive
North Little Rock, AR 72118
www.jasoninternational.com
MADE IN THE U.S.A.



JASON[®]
HYDROTHERAPY

49-2044-006
Date 11/14

forma[®] Keypad and Sani-Design[™] Cleaning System

FIELD INSTALLATION INSTRUCTIONS

INTRODUCTION

The forma[®] Collection baths come in two keypad types: Standard Edition and Signature Edition. The type of keypad will determine the steps to follow for proper installation. However, before any installation begins, determine the distance to the desired keypad location and assure that the included 6 feet [1.8m] of cable will be of sufficient length. If a longer cable is desired an extension replacement cable up to 15 feet [4.5m] can be purchased. Mark the location after it has been determined. Then follow either the Standard Edition Keypad instructions or the Signature Edition Keypad instructions below.

INSPECTION

Inspect the kit for damage or shortages prior to installation. Damage sustained in transit is the responsibility of the carrier. If transit damage is discovered, notify the carrier immediately and file a freight claim with them.

INSTALLATION

Standard Edition Keypad Instructions

1. Drill a 1-1/8" [3cm] diameter hole in the desired location.
2. Peel off the white protective strip to expose the adhesive tape on the back of the keypad.
3. Clean the surface where the keypad will sit.
4. Set the keypad flush against the surface, and press the keypad firmly so the adhesive will bond to the surface.

(NOTE: The adhesive tape will not bond properly if moved after initial installation.)

5. Plug one end of the cable into the control box.
6. Plug the remaining end of the cable into the back of the keypad.
7. See the forma[®] bath Installation Manual for more details.

Signature Edition Keypad Instructions

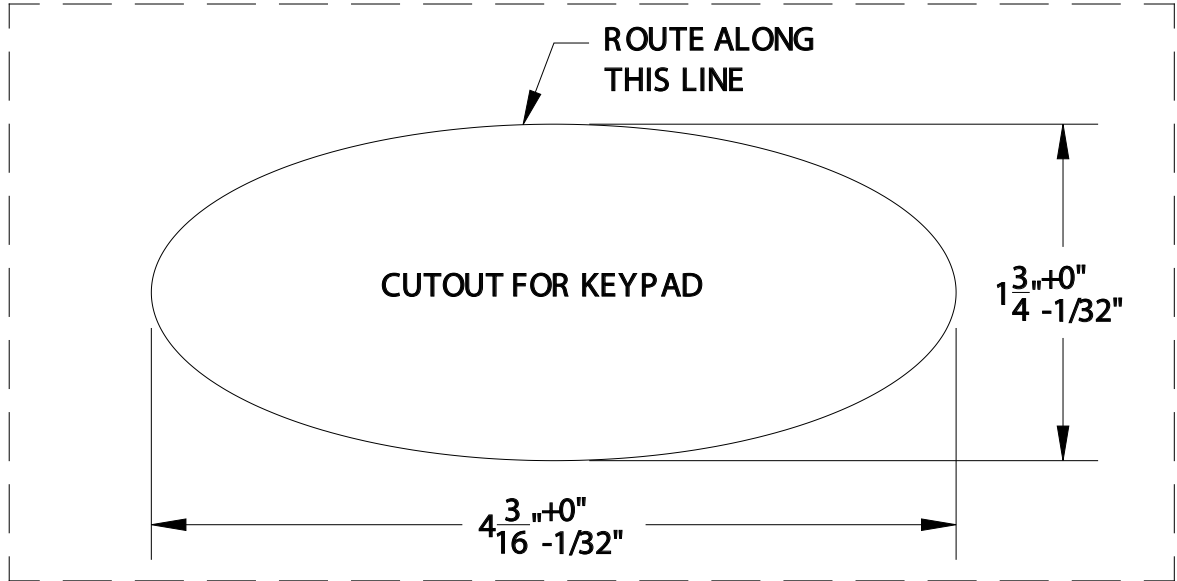
1. Detach the Signature Edition Routing Template (**Figure 1**). Drill a hole and then route along the line indicated on the figure in the desired location.
2. Peel off the white protective strip to expose the adhesive tape on the back of the keypad.
3. Clean the surface where the keypad will sit.
4. Set the keypad flush against the surface, and press the keypad firmly so the adhesive will bond to the surface.

(NOTE: The adhesive tape will not bond properly if moved after initial installation.)

5. Plug the end of the cable into the back of the keypad.
6. Plug the remaining end of the cable into the control box connection.
7. See the forma[®] bath Installation Manual for more details.

NOTE: For both control types it is recommended to apply an additional bead of silicon sealant on the backside of the control around the gap between the housing and the surface to secure the control. (See **Figure 2**.)

Figure 1- Signature Edition Routing Template

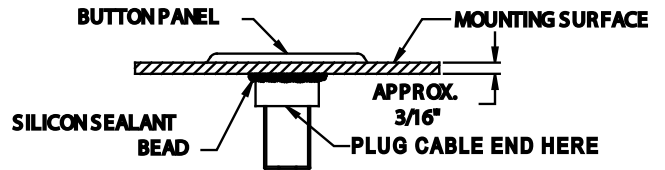
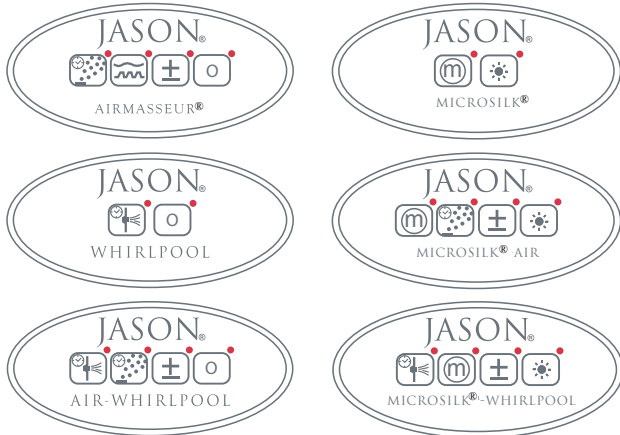


NOTE:

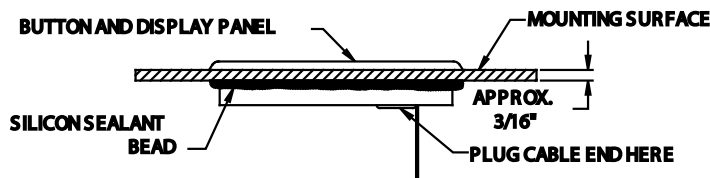
As dimensions of this template may change during the printing process verify actual dimensions before drilling. Jason will not be responsible for dimensional errors.

Figure 2 - Keypads

Standard Edition Keypads



Signature Edition Keypads



forma® Collection

FIELD INSTALLATION INSTRUCTIONS

for Sani-Design™ Cleaning System

INTRODUCTION

The forma® collection AirMasseur® Hydrotherapy baths come with the materials to field install the Sani-Design™ Cleaning System. However, before any installation begins, determine the distance to the desired Cleaning System hole location (maximum 3/4" thick material for the mounting surface) and assure that the included two feet of flex hose will be of sufficient length. Mark the location after it has been determined. Then, follow the steps below to properly install the Sani-Design™ Cleaning System.

NOTE: The Sani-Design™ deck fitting with its check valve must be located at an elevation above the inlet on the air-channel of the bath.

INSTALLATION

1. Drill a 1-1/8" [3cm] hole at the desired location.
2. Glue the fittings and hose together with PVC glue as illustrated in **Figure 3**. **Caution:** Do not crimp the hose when installing.
3. Cut the hose to the proper length to assure that the hose drains completely.
4. Apply a bead of silicon sealant to the deck fitting and the mounting surface.

5. After assembly and PVC glue has had time to set, fill the bath with water to the bottom of the overflow and run the blower for 5 minutes.
6. While the bath blower is running, check for any leaks in the assembly.
7. Turn the blower off and then pour water into the Sani-Design™ fitting and check for any leaks in the assembly.
8. The figures shown in **Figure 4** are the approximate recommended keypad locations for a field-installed keypad, if it is installed in the center of the deck of the bath. Make sure that all holes are always drilled from the finished side of the bath to prevent surface chipping.
9. First pilot drill the hole centers using a 1/8" [3mm] drill bit then use the appropriate hole saw and slowly drill the hole(s) from the acrylic (finished) side of the bath. If the hole requires routing, see **Figure 1**, use the appropriate size cutter and finish the cutout.

NOTE: It is the installer's responsibility to assure that no obstructions are present below the deck at the drill hole location.

Figure 3

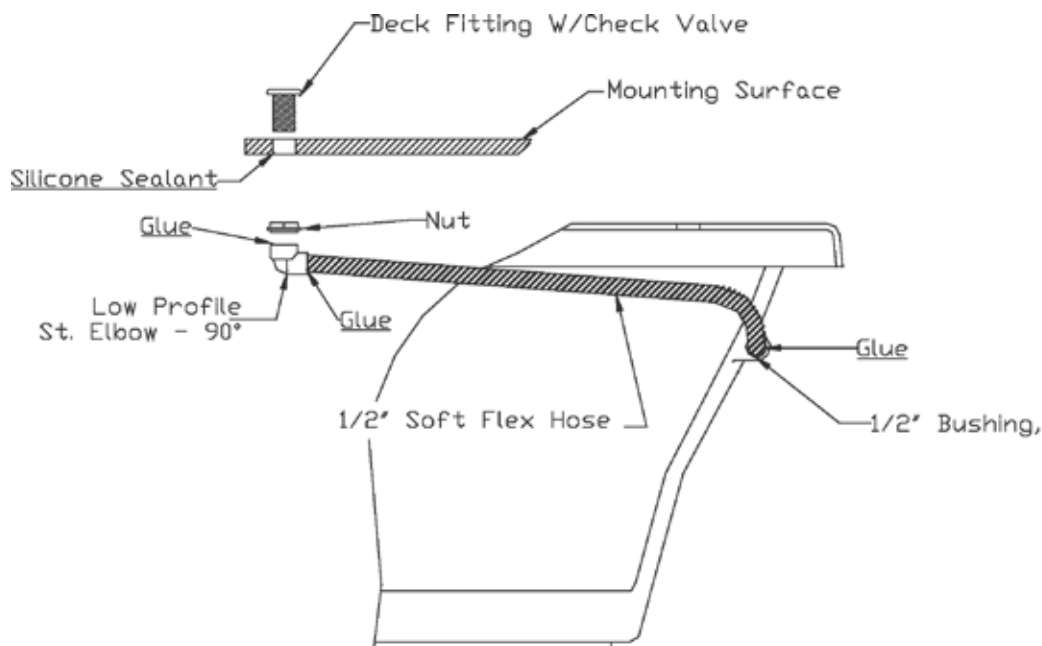
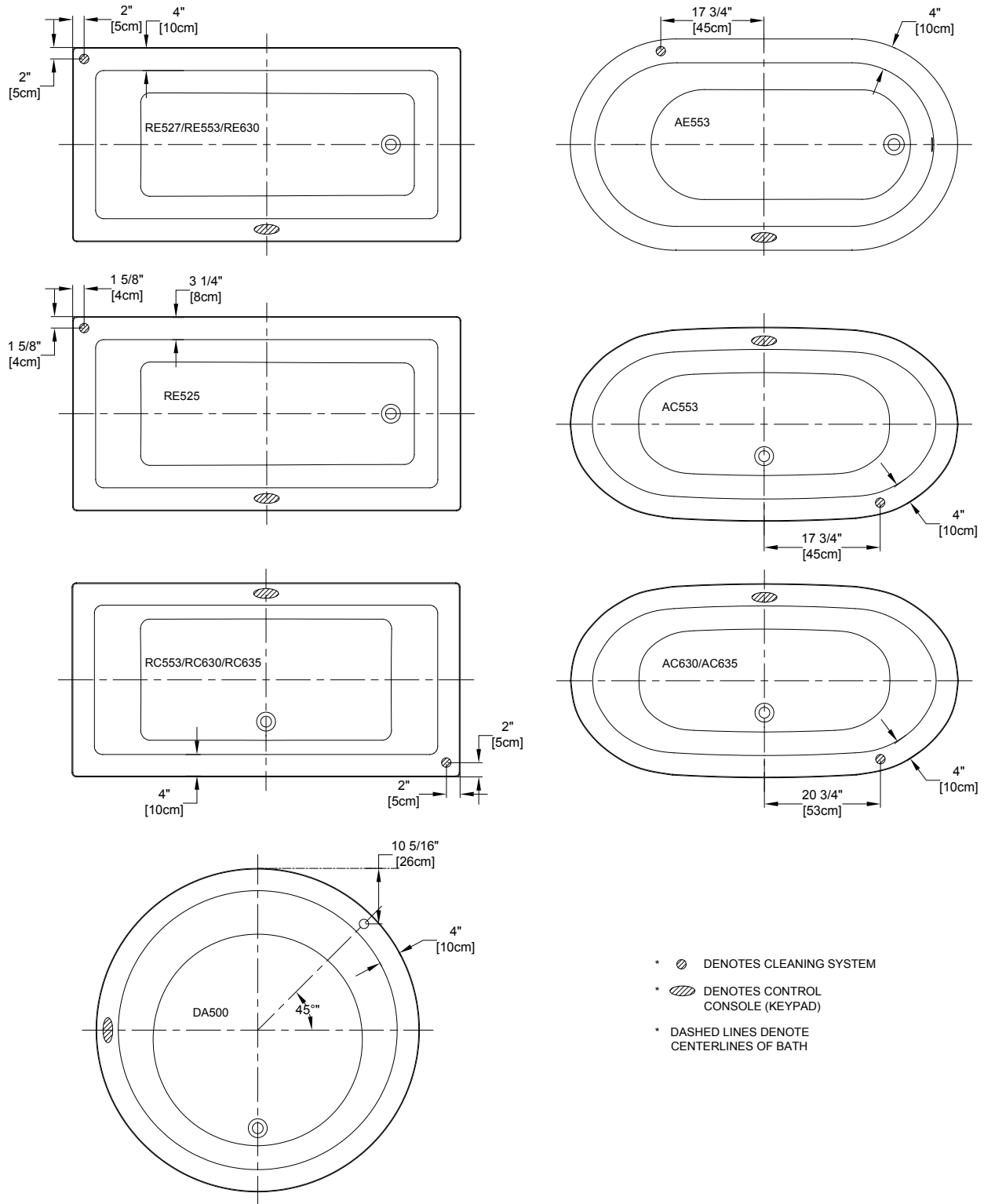


Figure 5 - Recommended Deck Location for Field Installed Keypad



JASON INTERNATIONAL, INC.

8328 MacArthur Drive • North Little Rock • Arkansas • 72118

www.jasoninternational.com