

Jason International, Inc.
8328 MacArthur Drive
North Little Rock, AR 72118
www.jasoninternational.com
MADE IN THE U.S.A.



JASON
HYDROTHERAPY

49-2049-000
Date 11/14

INSTALLATION INSTRUCTIONS

Exposed Overflow Drain

INTRODUCTION

Jason's Exposed Overflow Drain is polished and plated 18-gauge solid brass and is designed for the exposed application on the Jason Designer IC635P and Carrera™ CB553P baths. It features a flexible overflow head and soft toe-touch drain.

CONTENTS

The Exposed Overflow Drain assembly includes the overflow body, waste body and tee, finish stubout pipe, coupling nuts, overflow cover plate, compression rings and seals, overflow clamp plate, and soft touch stopper assembly.

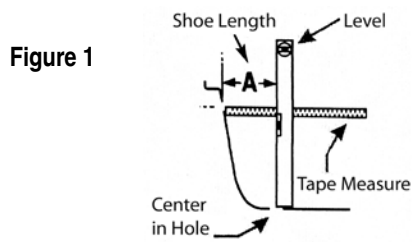
TOOLS & MATERIALS

For safety and ease of installation, Jason recommends the following tools: safety glasses, flashlight, adjustable wrench, tape measure, pipe cutter, strainer wrench, and PTFE plumbers tape.

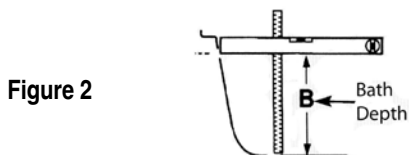
INSTALLATION

All local and state plumbing codes must be observed. It is the responsibility of the installer/owner to determine specific code compliance when installing this product.

1. Measure the distance from the center of the drain hole to the center of the overflow hole. See **A** in **Figure 1**.

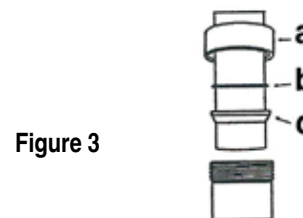


2. Measure the height from the center of the drain hole to the center of the overflow hole. See **B** in **Figure 2**.



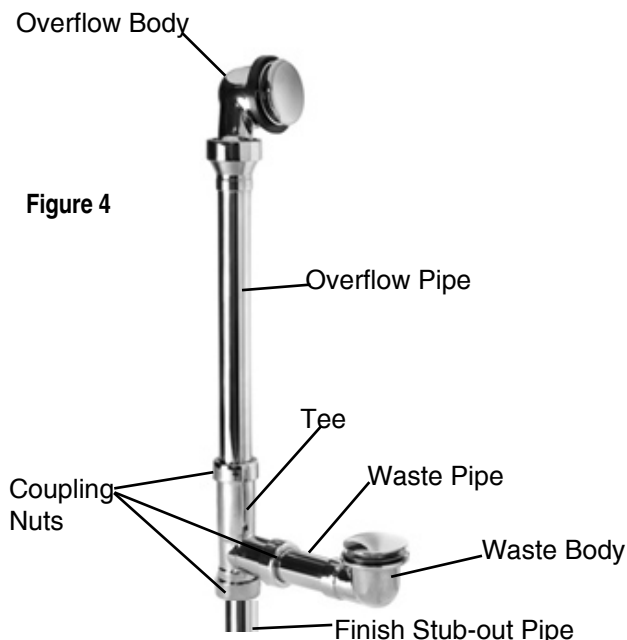
3. Remove the components from the box. **Note:** The overflow body, overflow clamp plate, and ferrule are pre-assembled; the waste body, and soft-touch stopper are pre-assembled; and the tee and coupling nuts are pre-assembled.

4. Measure the overflow and waste pipe(s) for proper length and cut if necessary.
5. Remove the coupling nut(s) from the tee and slide the coupling nut (a), compression ring (b), and seal (c) onto the three (3) connection pipes (overflow pipe, waste pipe, and finish stub-out pipe) that will go into the tee. Ensure that they are in the correct order and orientation on the pipes (**Figure 3**).



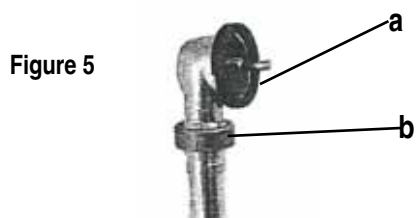
6. Insert the overflow pipe, waste pipe, and finish stub-out pipe into the tee (**Figure 4**).
7. Loosely tighten the coupling nuts onto the tee allowing freedom of movement for both the overflow and waste bodies and for positioning the finish stub-out pipe (**Figure 4**).

CAUTION: Do not fully tighten at this stage.



INSTALLATION INSTRUCTIONS (cont.)

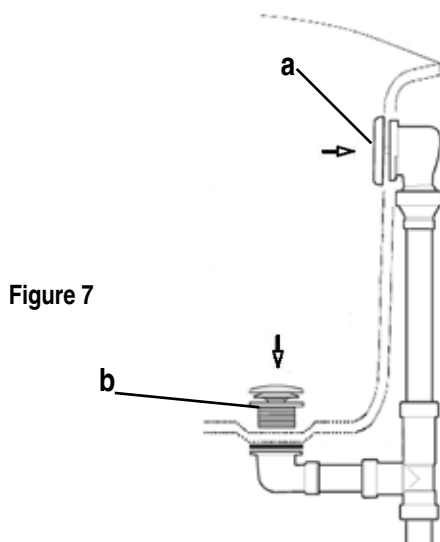
- Remove (unscrew) the overflow clamp plate and ferrule from the overflow body, ensure that the seal [Figure 5 (a)] is securely held in place on the top of the overflow body.
- Position the overflow body behind the bath overflow. Loosen the swivel ball coupling nut [Figure 5 (b)] until the swivel ball joint can be tilted easily by hand. Adjust the swivel ball joint to a suitable angle so that the overflow seal is mated flush with the outer surface of the bath surrounding the overflow. Hand-tighten the swivel ball coupling nut to hold this position.



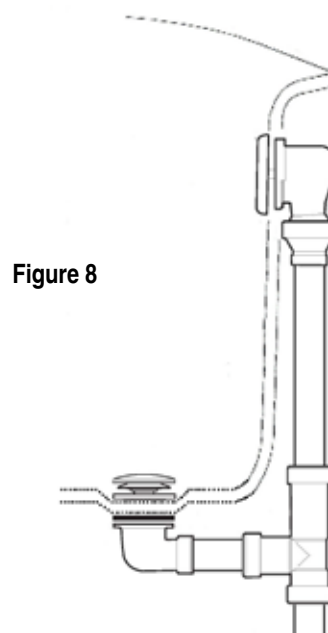
- Unscrew the soft-toe touch assembly from the waste body (Figure 6).



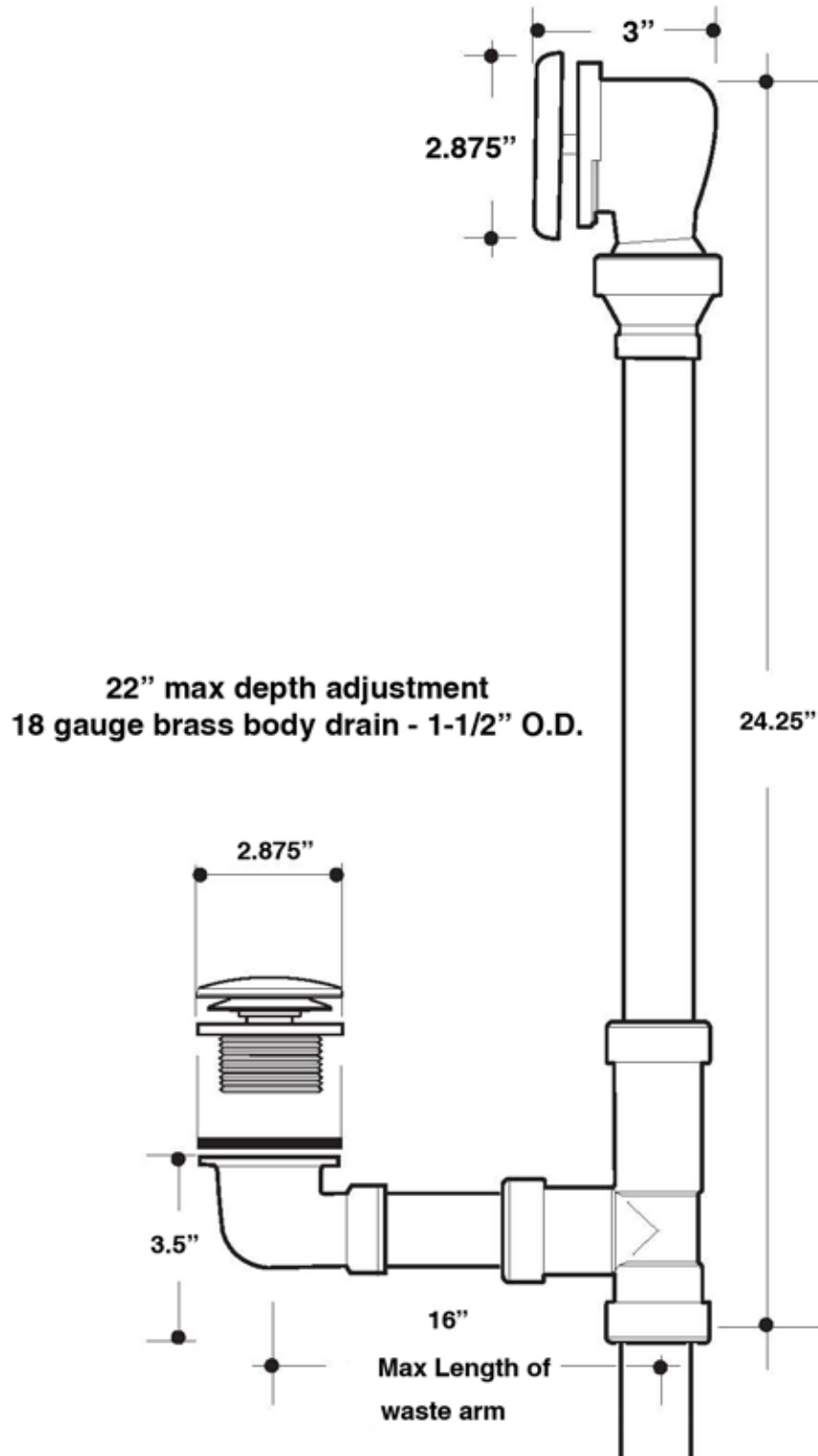
- Position the drain assembly so that the waste body is aligned with the bath waste and the overflow body is aligned with the bath overflow. Also ensure that the tee is held squarely with both the bath overflow and waste bodies (Figure 7).
- Replace (screw) the overflow clamp plate and ferrule onto the overflow body so that it secures the overflow body to the bath at the overflow outlet. Install the overflow coverplate. [Figure 7 (a)]



- Replace (screw) the soft-toe touch assembly [Figure 7 (b)] onto the waste body so that it secures the waste body to the bath at the waste outlet. **Note:** Use plumbers putty (not supplied) between the bath and the soft toe-touch assembly [Figure 7 (b)].
- Tighten all of the coupling nuts securely to hold the exposed overflow assembly securely in place (Figure 8).



INSTALLATION DIMENSIONS



JASON INTERNATIONAL, INC.

8328 MacArthur Drive • North Little Rock • Arkansas • 72118

www.jasoninternational.com