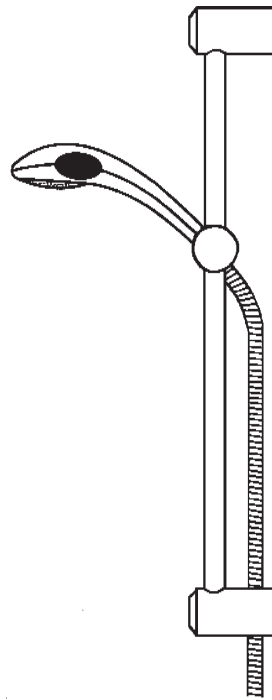


---

# Belina™ Wall Mounted Hand Shower Set



---

The Belina™ wall mounted hand shower set is the new standard in quality, elegance, and simplicity.

Applying pressure to the side buttons adjusts the flow from a gentle rain to a stimulating massage, or a combination of both. Individually plated components and unique double-locking spiral hose, assure the highest strength and most lasting finish. Available in Polished Chrome or Bright Brass on grey.

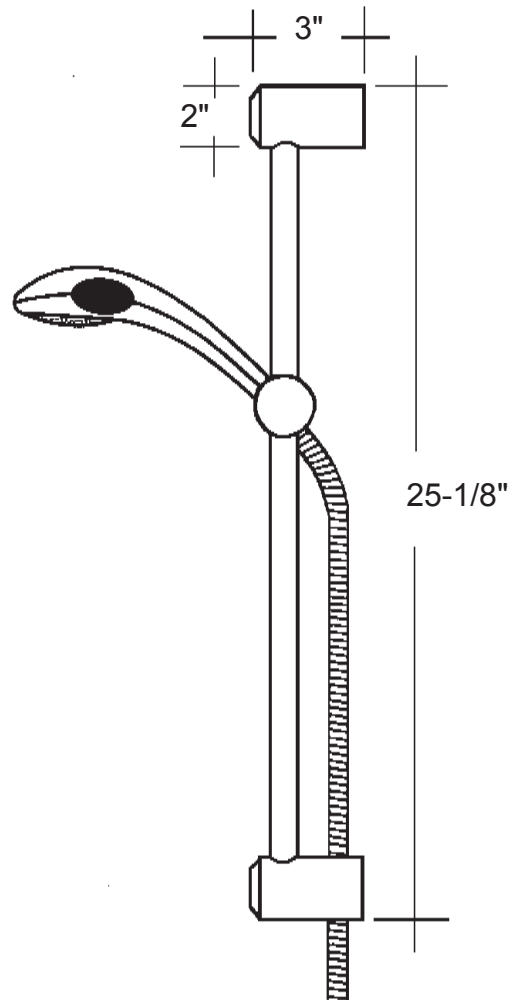
The Belina™ wall mount hand shower set includes a Belina™ hand shower, 24" slide bar, vacuum breaker, double-locking spiral hose, wall fitting and installation instructions.

---

**JASON INTERNATIONAL, INC.**

8328 MacArthur Drive • North Little Rock, AR 72118 • [www.jasoninternational.com](http://www.jasoninternational.com)  
501.771.4477 • Fax: 501.771.2333 • Cust. Service: 800.255.5766

## Belina™ Wall Mounted Hand Shower



---

### BELINA™ WALL MOUNT HAND SHOWER FEATURES

- Three flow patterns, controlled by applying pressure to side buttons on the hand shower.
- 24" slide bar for wall mounting.
- Double-locking spiral hose for added strength.
- Individually plated components for the most lasting finish.
- Flow restrictor included.
- Polished Chrome or Bright Brass finish on grey.
- Flow rate of 2.5 gpm max.
- Complies with ASSE 1014-90 requirements.
- 1/2" supply lines required.
- Cartoned weight 4.5 lbs.
- Kit includes Belina™ hand shower, 24" slide bar, vacuum breaker, double-locking spiral hose, wall fitting, and installation instructions.