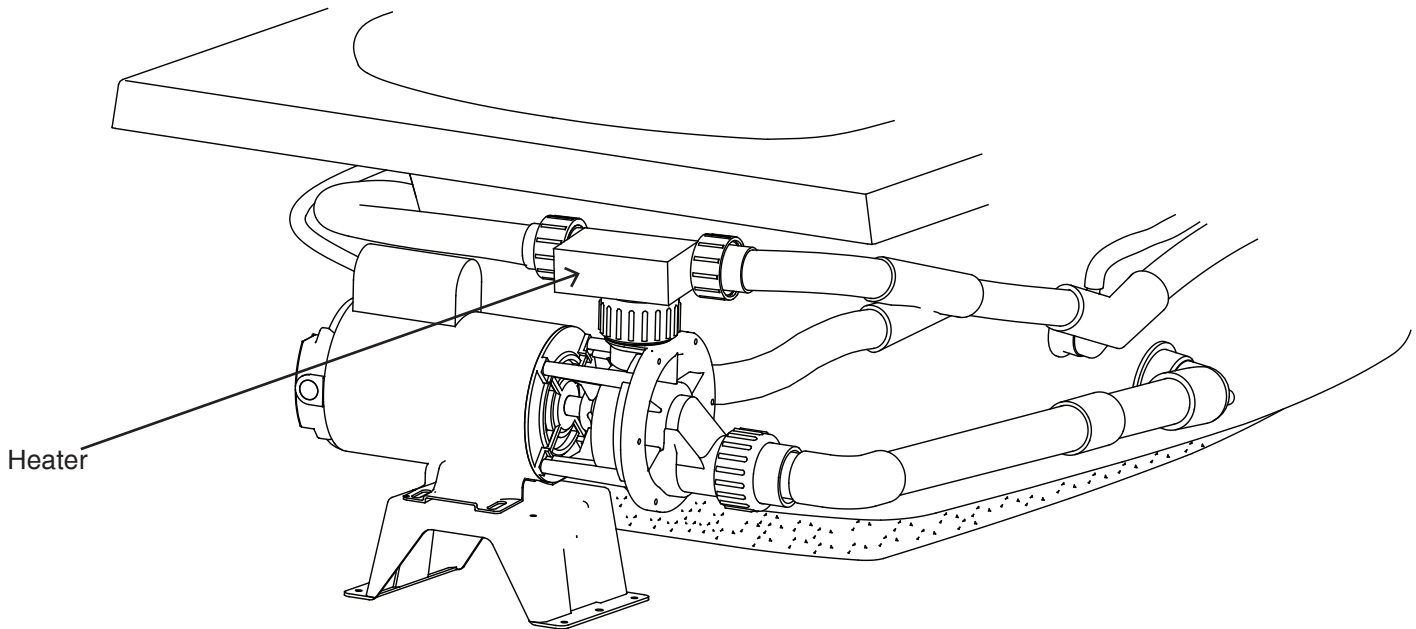


---

## Designer Whirlpool JT1500 Bath Heater

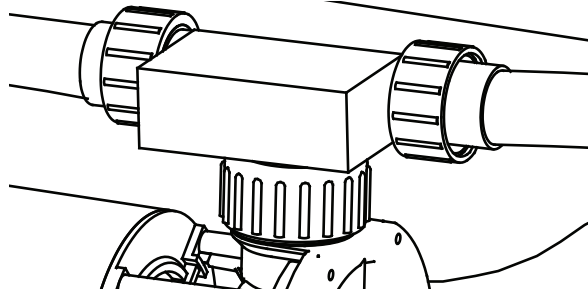


---

Jason's JT1500 1.5 kw bath heater for Designer Whirlpool baths automatically maintains water temperature while the whirlpool is in operation.

The JT1500 heater is offered as a factory installed option on all Designer Standard Whirlpool baths with single-speed electronic touch control.

The JT1500 heater is standard equipment on Signature Edition Whirlpools. The Signature Edition Whirlpool's digital display alternates between the water temperature and the whirlpool time remaining.



---

## INSTALLATION

The heater is factory installed in place of the pump tee and factory tested with the Whirlpool bath unit. The standard Whirlpool bath access opening specified for the bath model is of sufficient size to access the heater for servicing.

The heater is factory equipped with a three foot power cord or junction box to facilitate electrical supply connection.

## SPECIFICATIONS

**Material:** Stainless steel with a self-extinguishing high temperature ABS plastic control box.

**Electrical Service:** A 20 amp, 120v ground fault protected (GFCI) dedicated service is required.

This device is a UL recognized component.

## STANDARD FEATURES

- 1500 Watts at 120v.
- Double Dry fire protection.
- Exclusive Smart hi-limit switch is set at 122° F. Will not false trip if the whirlpool is filled with hotter tap water.
- Built in safety pressure switch.
- Factory pre-set built-in thermostat.
- Low watt density Incoloy heater element.
- Threaded unions on all plumbing connections are provided for easy service.