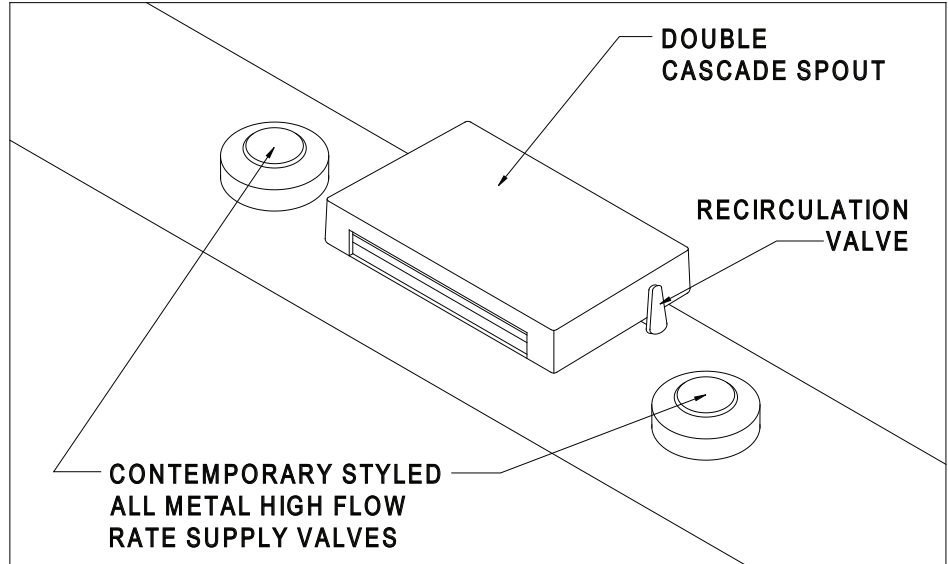
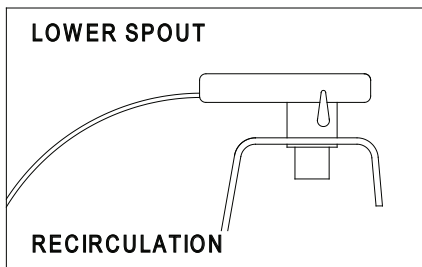
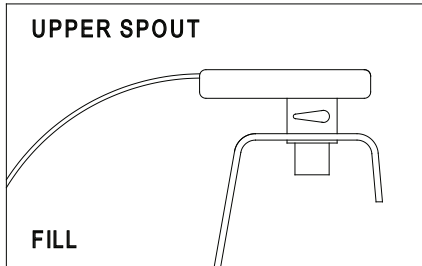


Jason Double Cascade Spout® & Faucet Set



Jason's exclusive, patented Double Cascade Spout® and Faucet set is designed especially for whirlpool baths. This unique product provides two separate cascades of water. The upper spout is combined with high flow rate valves for filling the bath. The lower spout recirculates the bath water when the whirlpool system operates.

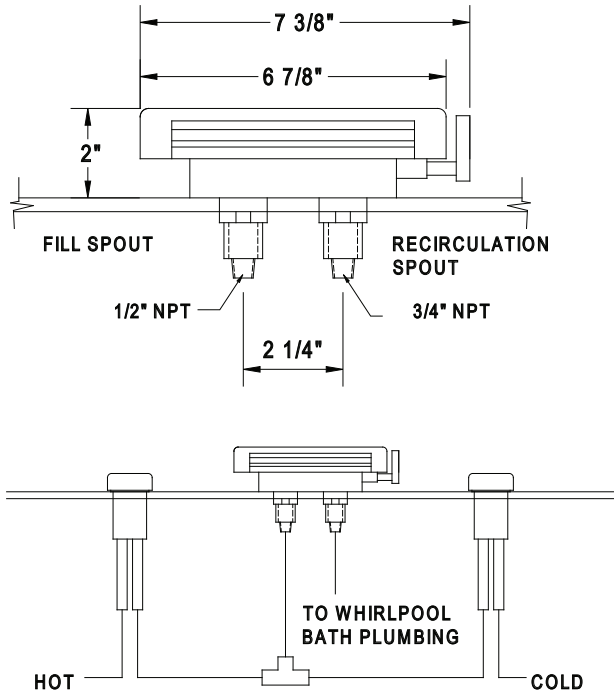
The Double Cascade Spout® is designed with an all metal interchangeable cover. Select from Polished Chrome, Bright Brass, Brushed Nickel; or Powder Coated White, Natural Bone, or Bisquite.

The two high flow rate faucet valves control the hot and cold water supply enabling the bather to minimize the time required to fill the bath. The faucets include Jason's low-profile, exclusively designed contemporary knobs.

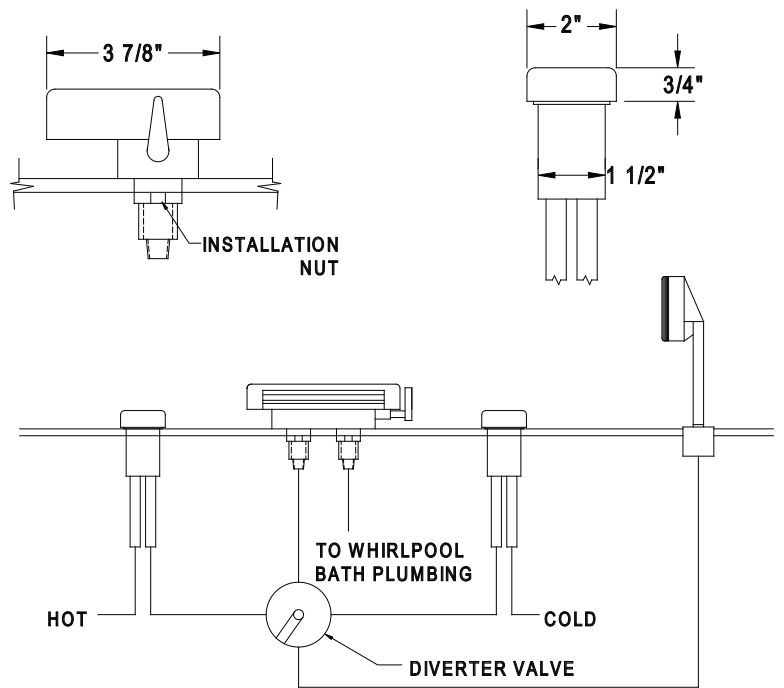
The knobs are all metal and finished to match the Double Cascade Spout® cover.

A self-adhesive drilling template is included with the Double Cascade Spout® to aid in installation. Installation requires drilling two 1-1/8" dia. holes through the bath deck to mount the Double Cascade Spout®, and two 1-1/2" diameter holes for the supply valves.

Jason whirlpool baths which accept the Double Cascade Spout® include threaded plugs in the plumbing to facilitate connection to the Double Cascade Spout®.



Typical Installation



Typical Installation with Diverter and Hand Held Shower

STANDARD FEATURES

- The Double Cascade Spout® is a combination fill and recirculation spout.
- It's a beautiful whirlpool bath enhancement designed to compliment the whirlpool bath, eliminating the need of sourcing separate fill spout and faucet fixtures.
- Available with Polished Chrome, Bright Brass, and Brushed Nickel plated metal finishes to match whirlpool bath trim. Also available with White, Natural Bone, and Bisquite powder coated finishes.
- Its compact, sturdy, low profile, 3-7/8" x 7-3/8" x 2" design enhances the bath design.
- Installation on the whirlpool bath is simplified by the drilling template provided.

SPECIFICATIONS

Construction: ABS body, with plated metal cover

Connection: Supply 1/2" MPT
 Recirc. 1/2" MPT

Supply Rate: 12.5 gpm at 50 PSI

INSTALLATION

A bath deck location must be selected for mounting the spout and valves that will provide direct, unobstructed flow of water into the bath, easy access to the recirculation valve, and adequate access beneath the bath for plumbing, mounting, and servicing.

The Double Cascade Spout® is installed through two 1-1/8" diameter holes, 2-1/4" apart through the whirlpool bath deck and secured with two backup nuts provided.

The supply faucets valves require 1-1/2" holes for mounting. A self-adhesive drilling template for a typical drilling arrangement is included with the installation instructions. One 1/2" hose is provided with the spout to facilitate plumbing to the whirlpool bath.

To complete the water supply plumbing connection to the Double Cascade Spout®, a 1/2" slip to thread female copper coupling is required. To meet most code requirements, the installer must use appropriate vacuum breakers (back flow prevention devices) when installing this device.