



OWNER'S MANUAL

GH20 Grip Handle(s) Kit

INSTALLATION INSTRUCTIONS

INTRODUCTION

Included with each GH20 Grip Handle Kit:

- One (1) GH20 Grip Handle
- Two (2) 5/16" - 18 x 3/4" Hex Bolts
- Two (2) 5/16" Washers

INSPECTION

Inspect the kit for damage and any shortages prior to installation. Damage sustained in transit is the responsibility of the carrier. If transit damage is discovered, notify the carrier immediately and file a freight claim with them. If any shortages are noted, contact Jason Customer Service at 800-255-5766.

TOOLS & MATERIALS REQUIRED

For ease of installation, and safety, Jason recommends the use of the following tools: level, ruler, square, 1/2" wrench (or an adjustable wrench), drill, and circular saw if needed.

INSTALLATION

1. To obtain the hole-layout and proper handle placement, first locate the desired position of the GH20 Grip Handle on the bath.

NOTE: The GH20 Grip Handle Kit must be installed before bath installation.

2. Following **Figure 1**, mark the center of the handle

position in the desired location. Measure to each of the screw insert positions and mark that position on the bath.

CAUTION: Do not use a mark that could stain or cannot be removed from the acrylic bath surface.

3. Drill two initial 1/8" [3.5 mm] pilot holes at the locations marked in the previous step. Use the drilled pilot hole as a guide and finish drilling the holes with a 3/8" [10 mm] diameter drill bit.
4. Attach a Washer to each of the Hex Bolts, as shown in **Figure 2**.
5. Attach the handle to the bath and fully thread one of the Hex Bolts into either of the threaded inserts on the GH20 Grip Handle. Align the remaining threaded insert with the remaining hole and fully thread the other Hex Bolt into the threaded insert.
6. Using a 1/2" wrench, tighten both Hex Bolts until the GH20 Grip Handle is secure.

Figure 1 - Drill Dimensions

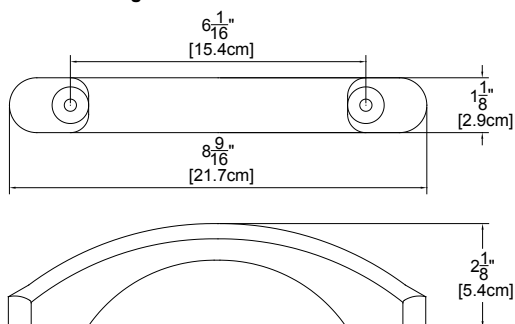
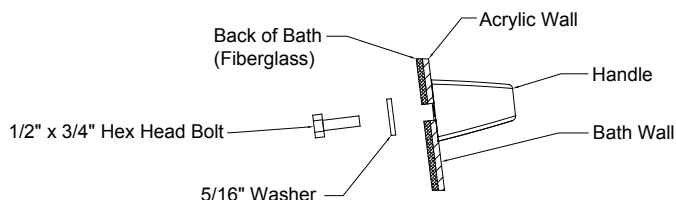


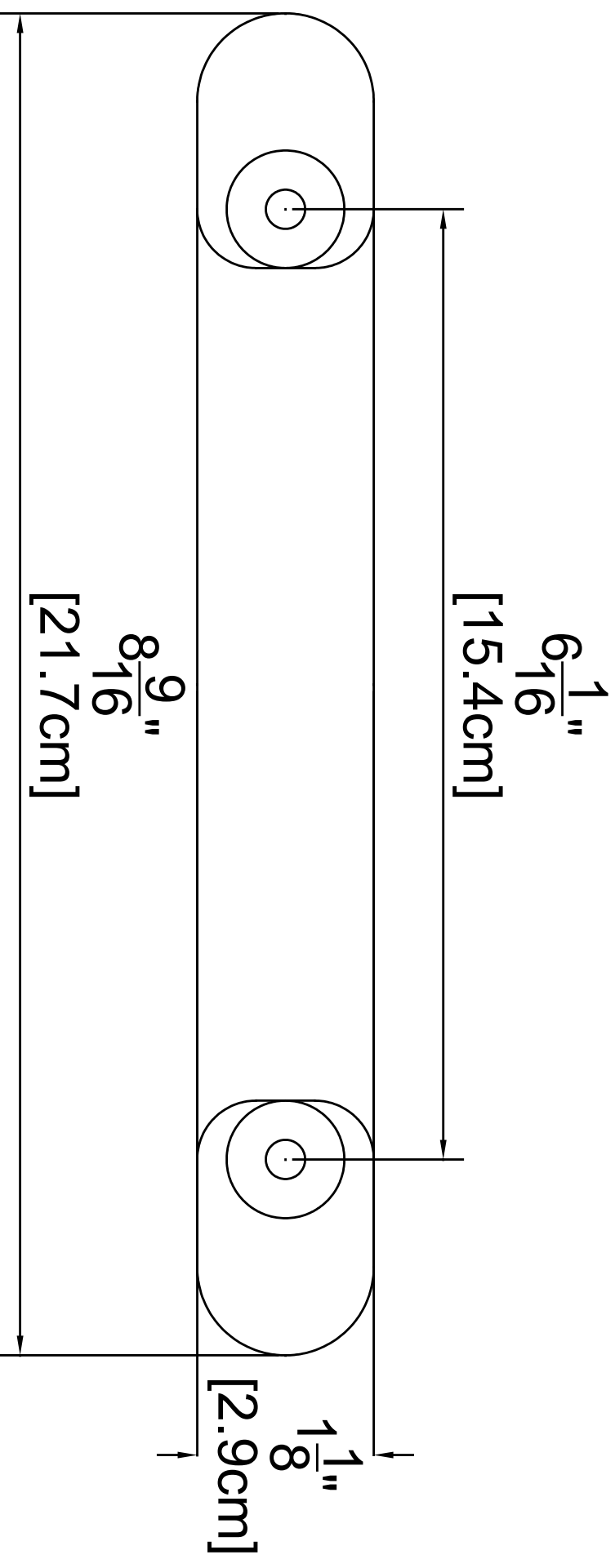
Figure 2 - Handle Placement



GH20 Grip Handle Template

IMPORTANT: Before Drilling

Be sure to check the backside of tub shell for adequate clearance for holes and mounting hardware.



NOTE: As dimensions of this template may change during the printing process, verify actual dimensions before drilling. Jason will not be responsible for dimensional errors.