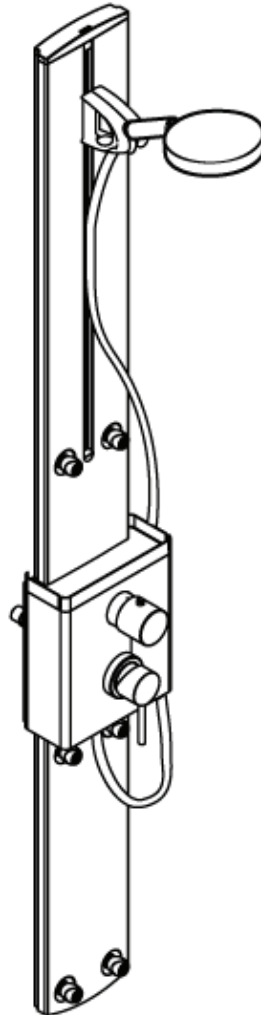

SP200 Shower Panel



Jason's Model SP200 Shower Panel is ideal for any shower enclosure.

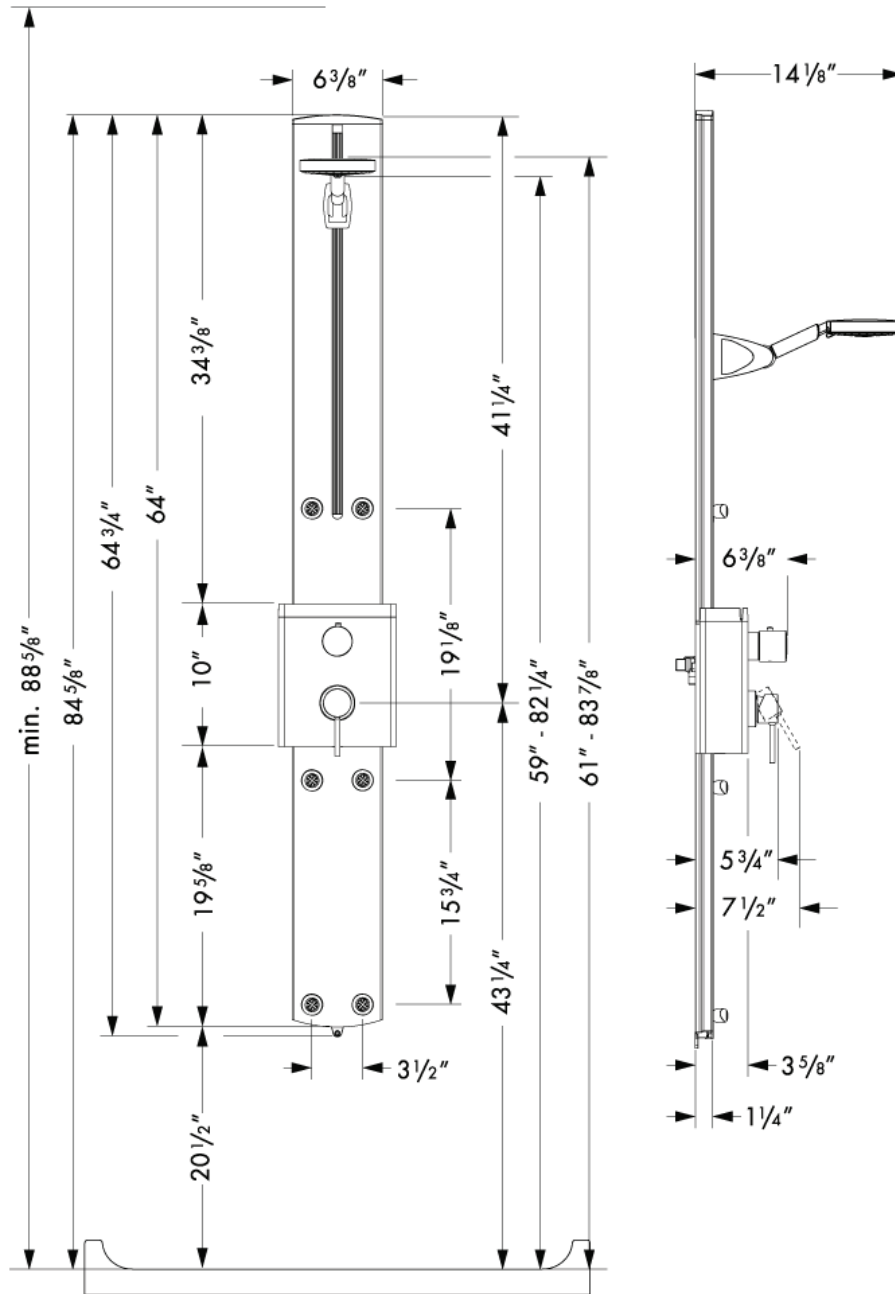
- Featured with a combination height/ angle adjustable hand-held shower head with five modes and six body sprays.
- This shower panel is controlled with a high-quality

thermo-balanced mixing valve incorporating a diverter and volume control.

- The panel can be quickly installed directly on a flat shower wall or in a shower corner.
- Designed for easy servicing.

JASON INTERNATIONAL, INC.

8328 MacArthur Drive • North Little Rock, AR 72118 • www.jasoninternational.com
501.771.4477 • Fax: 501.771.2333 • Cust. Service: 800.255.5766



STANDARD FEATURES

- 5-Mode hand-held shower head (Rain, Mix 1, Balance, Mix 2, and Whirl).
- Thermostatic valve, diverter, and volume control in one assembly.
- Up to 8 gpm at 45 PSI.
- Height and angle adjustable integrated wall bar.
- 6 directionally adjustable body sprays.
- Anodized Satin Chrome panel with Polished Chrome trim.
- Components for installation on either flat wall or shower corner included.

SPECIFICATIONS

Hand Shower Flow Rate:	2.5 gpm
Body Spray Flow Rate:	1.0 gpm
Maximum Flow Rate of Thermostatic Mixing Valve:	8 gpm @ 45 PSI
Recommended Water Pressure:	42-72 PSI

This shower panel system is IAPMO approved.