

Sani-Design™ Technology

Jason's Sani-Design™ Technology is a combination of technological advancements which provide the most hygienic therapy baths on the market. This equipment includes the following:

JASON AUTOMATIC OZONE SANITATION SYSTEM

Jason's Ozone technology now guards your whirlpool, Airmasseur®, Air-Whirlpool, and Home Spa baths from pathogens such as bacteria and viruses while leaving plumbing lines clean and fresh.

The system starts and stops automatically in conjunction with the air blower in the AirMasseur® baths and with the whirlpool pump in our Whirlpool and Air-Whirlpool baths. The Ozone Generator operates on a Corona discharge chip with a 9,000 hour life that is inexpensive and easily replaceable.



Why Ozone?

Ozone kills fungus, mold and yeast spores, and coliform bacteria on contact, thousands of times faster than bromine.

Ozone neutralizes PH and removes excess iron, manganese, and sulfur by a process known as micro-flocculation, thus conditioning the water naturally without chemical additives.

Additionally, it removes color and odor, leaving pure healthy water, while reducing scale buildup on plumbing surfaces, mechanical equipment, and bath surfaces.

Ozone will not irritate, dryout, or leave a chemical film on the skin. Ozone leaves no residue; its only by-product is pure oxygen.

JASON BATH SYSTEM CLEANER

Jason Bath System Cleaner has been specially formulated to clean the entire whirlpool or air bath system. Use at least once a month or more often as required. The cleaner is effective in removing residue and scum from both the surface of the bath as well as the parts you cannot see or reach. It has a natural citrus fragrance and is environmentally safe, non-abrasive, non-corrosive, biodegradable, and non-toxic.

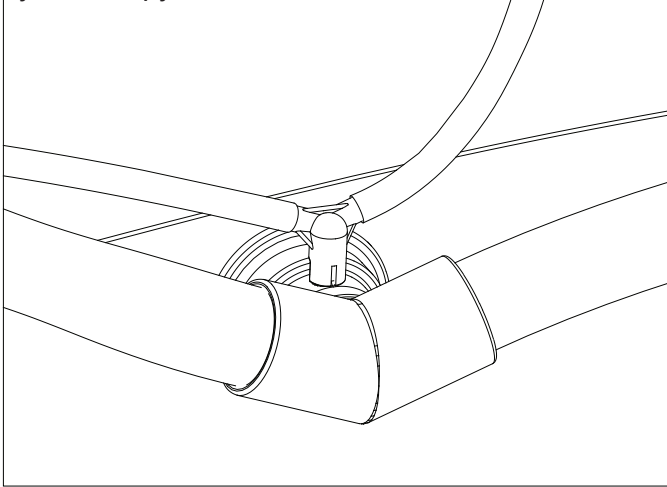


DUAL ACTION

Together with the Jason Automatic Ozone Sanitation System, the Jason Bath System Cleaner will both sanitize and clean.

V-DRAIN™ PLUMBING DESIGN

Jason's state of the art V-Drain™ jet system and high efficiency plumbing design combine to create a bath with very low water retention and optimized hydrotherapy.



JASON AIRMASSEUR® AND AIR-WHIRLPOOL CLEANING SYSTEM

Jason's patented Sani-Design™ cleaning system with a matching or color coordinated cleaning cap is provided as standard with all AirMasseur® and Air-Whirlpool baths and Home Spas. An optional plated metal cap in Polished Chrome, Bright Brass, or Brushed Nickel is also available.

The cleaning system provides the possibility of introducing Jason Bath System Cleaner directly into the air channel providing a higher concentration of cleaner in the channel for more effective cleaning and sanitizing. Cleaning instructions are provided in the bath Owners Manual.

All Jason air baths are provided with an automatic purge cycle. Fifteen minutes (20 minutes for Signature Edition baths) after the bath is drained, the blower will run for two minutes to blow out any water remaining in the air channel.

RELAX, YOU'RE IN A JASON BATH

The Jason Automatic Ozone Sanitation system, Jason air bath cleaning system and newly designed plumbing loop, work together to provide a hydrotherapy bath cleaning and sanitizing system that is as easy to maintain as it is to enjoy.