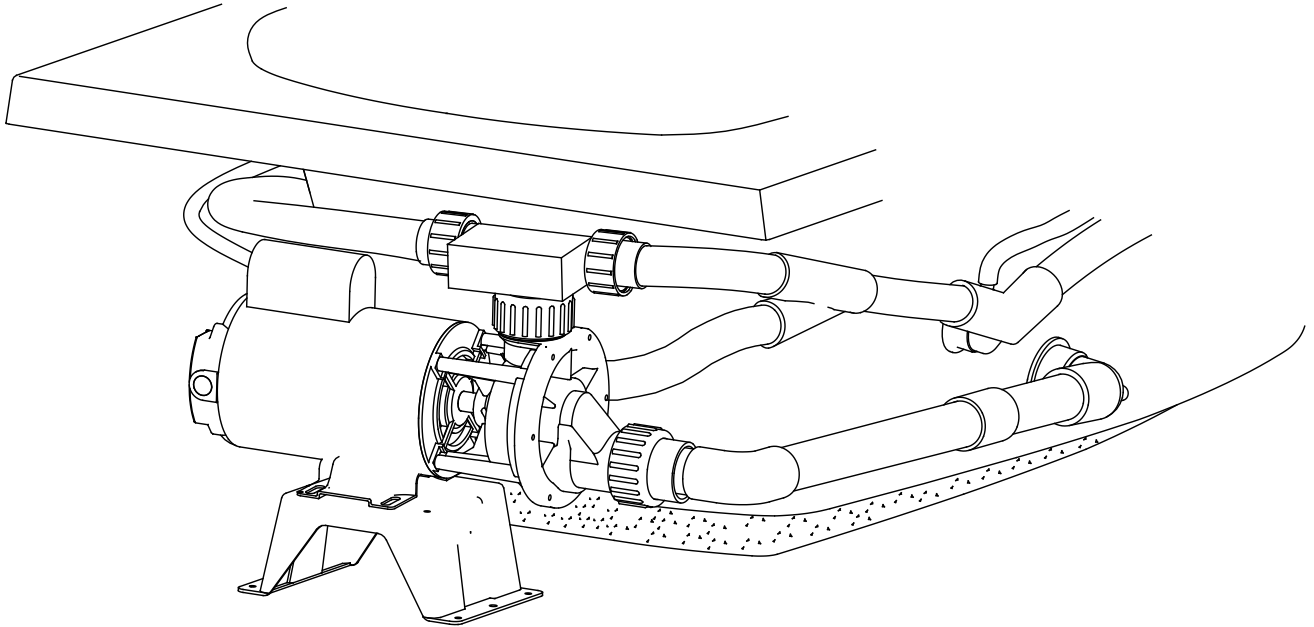

forma™ and Designer Air-Whirlpool JT1000 Bath Heater

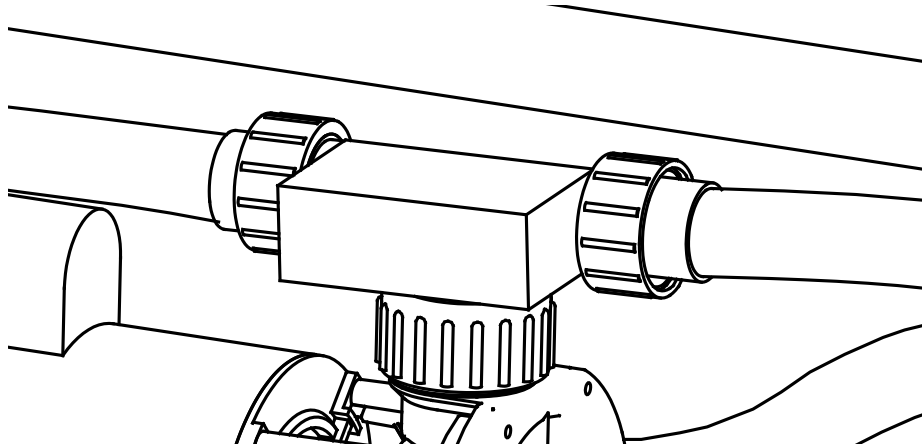


Jason's JT1000 1.0 kw bath heater for Standard Edition Designer and forma™ Air-Whirlpools automatically maintains water temperature while the whirlpool is in operation.

The JT1000 heater is optional equipment on Standard Edition Air-Whirlpools.

JASON INTERNATIONAL, INC.

8328 MacArthur Drive • North Little Rock, AR 72118 • www.jasoninternational.com
501.771.4477 • Fax: 501.771.2333 • Cust. Service: 800.255.5766



INSTALLATION

The heater is factory installed in place of the pump tee and factory tested with the whirlpool bath unit. The standard whirlpool bath access opening specified for the bath model is of sufficient size to access the heater for servicing.

The heater is factory equipped with a three foot power cord and is to be wired in conjunction with the pump to a dedicated, ground fault protected circuit.

SPECIFICATIONS

Material: Stainless steel with a self extinguishing high temperature ABS plastic control box.

Electrical Service: A 30 amp, 120v ground fault protected dedicated service is required for the pump and heater combination.

This device is a UL recognized component.

STANDARD FEATURES

- 1000 watts at 120v.
- Double Dry fire protection.
- Exclusive Smart hi-limit switch is set at 122° F. Will not false trip if the whirlpool is filled with hotter tap water.
- Built in safety pressure switch.
- Factory pre-set built-in thermostat.
- Low watt density Incoloy heater element.
- Threaded unions on all plumbing connections are provided for easy service.