

## forma™ & Designer Standard Edition Air-Whirlpool Touch Control Keypad



### **ELECTRONIC CONTROL**

All functions of Jason's new Standard Edition Air-Whirlpool bath can be conveniently operated with Jason's electronic Air-Whirlpool touch control keypad, which controls the operation of the single speed whirlpool pump, the air blower, and optional LED light.

### **WHIRLPOOL ICON**

The Whirlpool pump is activated by momentarily pressing the Whirlpool icon to start or stop the pump. This will also activate the pump timer, which will automatically stop the pump after 20 minutes of operation if not manually stopped. The low water level sensing circuit will prevent the system from operating without sufficient water.

### **BLOWER ICON**

The Blower icon is used to activate the blower and the 20-minute timer. Pressing the icon the first time starts the blower in the constant high speed mode. Pressing the icon again begins the wave mode, indicated by a slow flashing light. Pressing the icon a third time will change the blower to pulse mode. This is indicated by a rapid light flash. Pressing the icon while in pulse mode will turn the blower off.

### **BLOWER SPEED ICON**

The Blower Speed icon is used to increase or decrease the blower speed once the blower is on. Press and hold the icon to decrease the blower speed until the desired intensity is reached, then release. Press and hold the icon again to increase the blower speed until the desired intensity is reached. The blower will return to its highest speed on any mode change.

### **OPTION ICON**

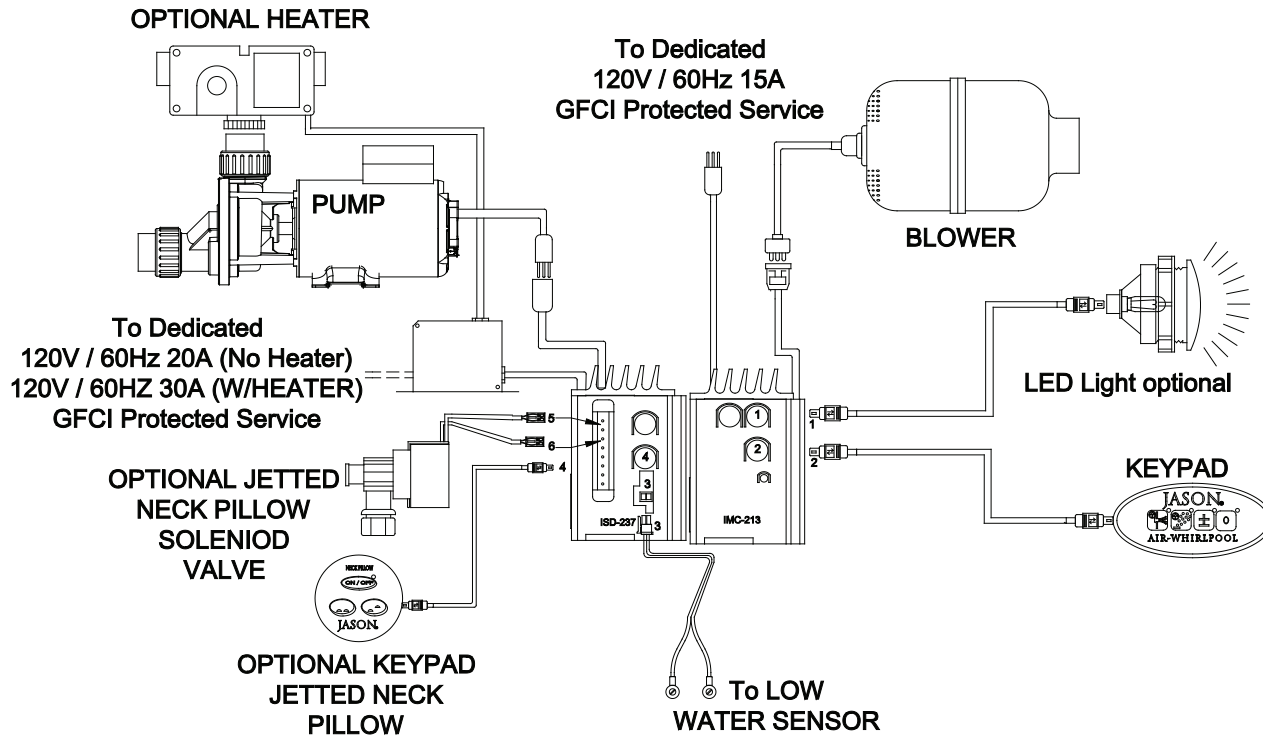
The Option icon is used to operate an optional LED light (if installed). Press the icon for less than two (2) seconds to turn the lights Off or On. Hold the icon for more than two (2) seconds to change modes. This function has a two (2) hour timer and remembers the last mode.

### **AUTOMATIC PURGE CYCLE**

Fifteen (15) minutes after the bath had drained, the blower will automatically start for two (2) minutes to purge and dry the air channel.

### **AUTOMATIC HEATER**

The air heater incorporated in the air blower will automatically operate when the blower is on to help maintain the temperature of the bath water.



## STANDARD FEATURES

- The Jason Air-Whirlpool touch control keypad located on the bath deck contains several icons used by the bather to control the Air-Whirlpool system.
- Independent 20-Minute timers for both whirlpool pump and air blower.
- Water level sensor prevents whirlpool pump from operating without the proper amount of water.
- Air Purge feature: Fifteen minutes after the blower is turned off and the bath is drained, the blower starts and runs for two (2) minutes to dry any moisture from the blower system.
- The control system is completely factory assembled and tested on each Air-Whirlpool bath.
- Optional LED light key.

## SPECIFICATIONS

- Whirlpool Pump:** 1 1/2 HP, 120v, 60Hz, 1-Speed
- Air Blower:** 1HP, 120v, 60Hz, with integral air heater and controller.
- Electrical Service:** Two dedicated services protected by ground fault interrupter are required.  
 Pump Circuit - 20 A, 120v 60 Hz.  
 (30 A, 120v 60 Hz with heater)  
 Blower Circuit - 15 A, 120v, 60 Hz.