

Jason International, Inc.
8328 MacArthur Drive
North Little Rock, AR 72118
www.jasoninternational.com
MADE IN THE U.S.A.



49-1010-101
Date 05/2014

OWNER'S MANUAL

forma® and Designer Whirlpool Baths INSTALLATION, OPERATION, AND MAINTENANCE



If the carton shows sign of damage, inspect the product before accepting and describe the problem on the Bill of Lading.

ALL WARRANTY CLAIMS ON ACRYLIC SURFACE DAMAGE MUST BE MADE PRIOR TO INSTALLATION. Inspect plumbing and bath surface for missing or damaged components. Alert your dealer of any discrepancies.

INSPECTION

Inspect the unit prior to installation. In the event of a problem, DO NOT install the unit.

All components are factory assembled to the bath and the unit is water tested and inspected prior to leaving Jason International, Inc.

If the carton shows sign of damage, inspect the product before accepting and describe the problem on the Bill of Lading.

NOTE: Transportation and insurance from Jason's factory are the buyer's responsibility.

Damage sustained in transit is the responsibility of the carrier. If damage is discovered, the carrier must be immediately notified in writing with a request for a representative to inspect the unit. Failure of the carrier to respond should be reported to the seller and carrier. Always file a freight claim promptly.

The installer is responsible for insuring that the unit is free from defects or shipping damage. **In the event of a problem, DO NOT install the unit.**

Jason International is not responsible for damage that might have been avoided by inspection or testing prior to installation.

Damage to the unit during installation will not be covered by warranty and is the responsibility of the installer.

To protect the unit from damage, keep the bath in the carton until ready for installation.

EQUIPMENT ACCESS

In accordance with Building Codes, service access to all hydrotherapy bath equipment, controls and electrical connections must be provided during installation **(Recommended minimum 28" x 17" [71 x 43 cm])**. Insufficient access will hinder repair and maintenance. Warranty service will not cover costs of providing equipment access.

Jason offers an optional removable lateral skirt for all rectangular baths. The skirts are available in matching acrylic colors and provide convenient access to bath equipment, as well as an excellent finished appearance.

The Specification Sheet for this bath contains additional technical information. This sheet can be provided by your dealer or accessed online at www.jasoninternational.com.

OWNER'S RECORD

**PLACE SERIAL NUMBER CARD WITH
PRODUCT CONFIGURATION IN THIS BOX**

Dealer: _____

Date Purchased: _____

Date Installed: _____

Installer: _____

INSTALLATION INSTRUCTIONS

INSTALLATION

See the **USER MAINTENANCE INSTRUCTIONS** section of this owner's manual, prior to Installation, for humidity and mold prevention suggestions.

1. **Finish Frame** A finish frame under the shell rim should also always be constructed to support the bath deck and ensure proper drainage toward the bath well. This frame is not intended to support the full bath weight (**see Figures 1 & 2**).

Jason offers a removable lateral skirt for most baths. The skirts are available in matching acrylic colors and provide convenient access to bath equipment, as well as an excellent finished appearance. However, if Jason's lateral skirt is not used, an access panel **MUST** be provided to enable final electrical connections and service. Please refer to the minimum recommended access panel size listed in the Equipment Access Section of this manual.

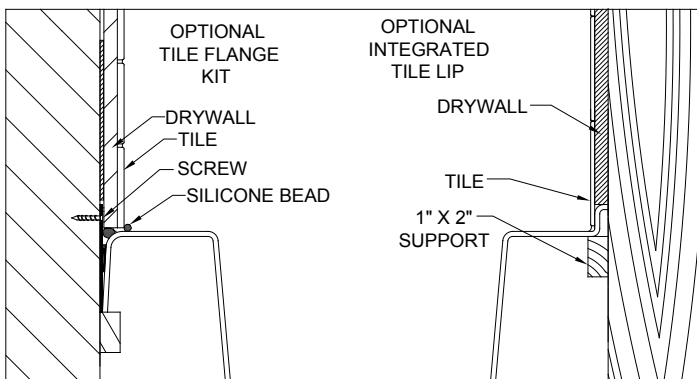
If a Jason lateral skirt is to be used, the bath deck must be leveled at 20.5" (52cm) from the support floor or the skirt will not fit properly.

Allow ample clearance for the equipment.

CAUTION: Ambient temperature under the bath where equipment is installed must not exceed 122°F (50°C).

2. 100% Silicone with mildew resistant properties should be applied between the water resistant backer board and the deck of the bath. **NOTE:** If you use a tile flange kit, modify the framing to support the bath lip as shown in **Figure 1**.
3. Install the drain and overflow assembly to the bath shell according to the instructions provided with the drain and position the bath in the area of intended installation.

Figure 1



4. Finish plumbing rough-in of drain and overflow assembly. At this time, considerations should be made for the position and mounting of the faucet set, as well as all related plumbing.
5. **Remove the packing board before installing the bath.** The bath is equipped with separate bath equipment support bases which are joined for shipment with packing boards. Detach the packing board from the bath and from underneath the equipment.

WARNING: Any modification to the equipment is not recommended and will void the Manufacturer's warranty.

6. **Install the bath level for proper drainage.** Jason baths are designed to be supported at the base of the bath. If the floor is smooth and level, the baths' Level Form™ Base will provide proper drainage and support (**See Figure 3**).
7. Mortar is required when the sub floor is not smooth and level; when additional sound insulation is desired; or when the bath is installed in a drop-in application. In alcove installations, a bed of mortar may also be recommended to aid in leveling the bath. **NOTE:** Do not use a sand bed to install or level the bath.
8. **Secure the bottom of all equipment mounts so that it is level with the bottom of the bath.** Position the bath in the area of intended installation and cut the equipment support strap(s) to allow the equipment to rest firmly on the floor. We recommend securing the equipment mounts to the floor with removable fasteners for ease of servicing.
9. **Protect the acrylic bath surface from damage during installation with a suitable material, i.e., cardboard and/or plastic film.** The acrylic surface of this bath has been provided with a protective film which helps protect the bath during shipment and installation. Additional protection may also be required to protect the acrylic surface during installation. If the bath is tiled in, remove the necessary portion of the film when installing the tile.

Figure 2

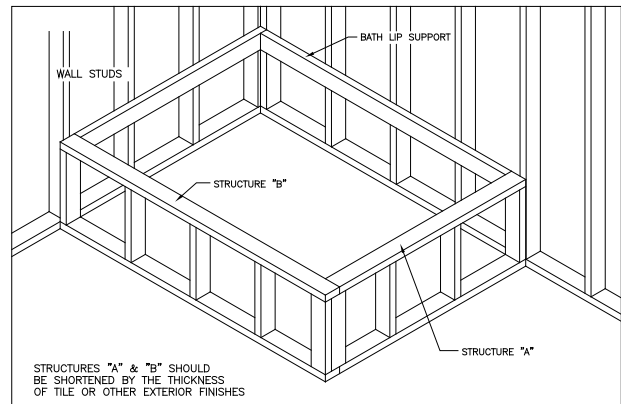
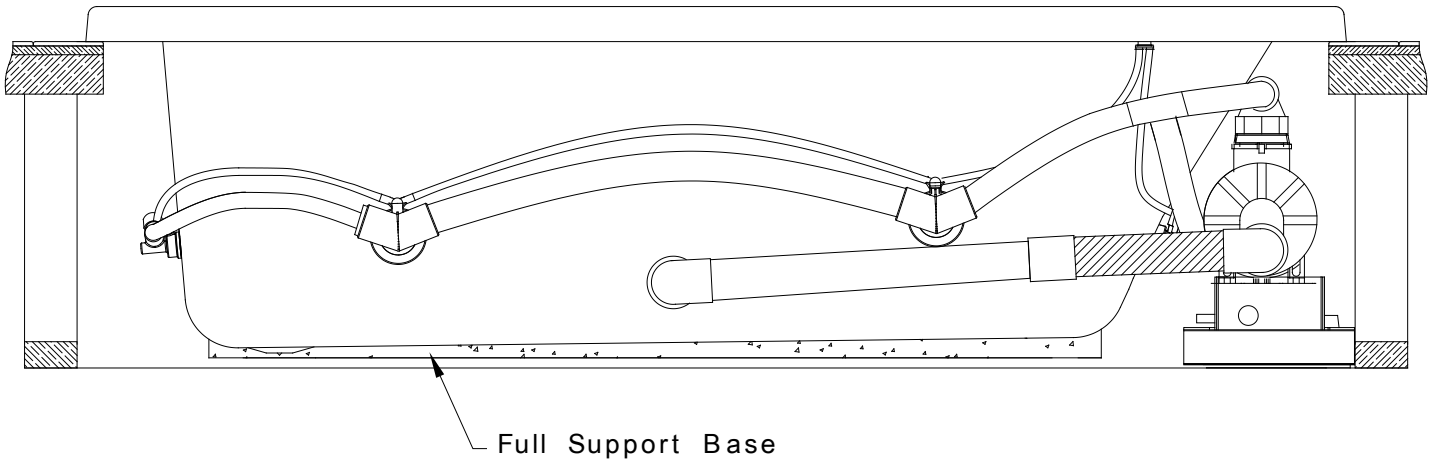


Figure 3



ELECTRICAL

Electrical Power Supply: These instructions are written assuming 60Hz, 120V power supply. Special notations are also included for export versions of equipment and power supply

WARNING: Verification of electrical requirements MUST be made before installation. Refer to the equipment labels for voltage and frequency requirements.

NOTE: The bath is designed for indoor use only. The electrical equipment must not be exposed to direct or indirect water or moisture contact. The electrical equipment must also be protected from dust and other airborne debris before, during, and after installation.

- 1. Electrical Service:** A licensed electrician must provide the “dedicated” electrical service protected by a GFCI. The location of the GFCI must be at least five (5) feet (152 cm) away from the inside surface of the bath, accessible for regular testing. Use copper conductors only.

DANGER — RISK OF ELECTRIC SHOCK: Connect only to a circuit protected by a Ground Fault Circuit Interrupter (GFCI). In the unlikely occurrence of a current imbalance in the power conductors, the GFCI will interrupt the power to the bath.

WARNING: The electrical service to the GFCI must not be interrupted by any control device. Likewise, the electrical service from the GFCI to the bath control should be direct and not interrupted by a switch. Never use a switch in conjunction with a control device. This will VOID THE MANUFACTURER’S WARRANTY.

- 2. GROUNDING IS REQUIRED**

The unit should be installed by a qualified service representative and properly grounded.

- 3. INSTALL SERVICE CONNECTION AT LEAST 6” (15cm) ABOVE SUB FLOOR.**

ALL LOCAL AND STATE ELECTRICAL AND PLUMBING CODES MUST BE OBSERVED. Where there are no local codes the **National Electric Code (NEC)** and **Uniform Plumbing Code (UPC)** shall be observed. It is the responsibility of the installer/owner to determine specific code compliance prior to installation of the product.

NOTE: In the Commonwealth of Massachusetts, installation is to be done by a Massachusetts licensed plumber.

- 4. 120V Electrical Service - Whirlpool Control Box.**

The pump is prewired to a control box. The control box has a 36” (91cm) cord with plug end. If a Jetted Neck Pillow is installed an additional control box will be included. The control box(es) are mounted on a stand that is temporarily secured to the packing board for shipping. These boxes must remain on the control box bracket so that the two boxes can communicate properly through their infrared communication feature. During installation, the control box bracket and controls must be positioned horizontally and located to permit access for inspection and servicing. The pump control box must be plugged into a dedicated 120V, 20A, 60Hz, GFCI protected circuit. **(See Figure 4)**

- 5. 240V Electrical Service - Whirlpool Control Box (Export).**

The pump is prewired to the control box. The control box has a 36 inch [91 cm] cord with a junction box connection. If a Jetted Neck Pillow is installed an additional control box will be included. The control box(es) are mounted on a stand that is temporarily secured to the packing board for shipping. These boxes must remain on the control box bracket so that the two boxes can communicate properly through their infrared communication feature. During installation, the control box stand and controls must be positioned horizontally and located to permit access for inspection and servicing. The pump junction box must be connected into a dedicated 240V 20A, 50 or 60 Hz, GFCI protected circuit. **(See Figure 4)**

DANGER: Do not alter the factory installed wiring. All building materials and wiring should be routed away from the equipment or other heat-producing components of the unit.

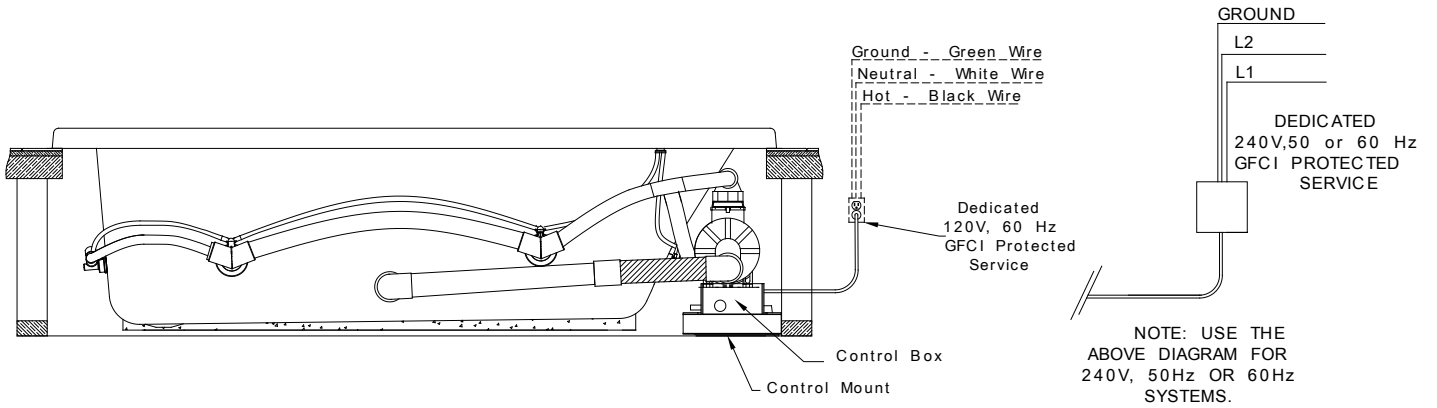
Figure 4



Standard / Premier Edition



Signature Edition



CLEANING

1. **Remove all loose debris.** Construction plaster or excess grout can be removed with the use of a wood (edge) trowel.
2. **Paint or tar stains** may need to be removed with a cleaner such as paint thinner, turpentine, or isopropyl alcohol (rubbing alcohol). Never allow the cleaner to soak against the acrylic surface for long periods of time. Always rinse the surface immediately following the use of cleaners.
3. Follow the manufacturer's instructions for safe use of cleaning products. If the surface becomes scratched or dulled, it may be restored by using a quality plastic polish, like Novus Plastic Polish No. 2 (available from the Jason Dealer). **It is always preferable to protect the acrylic surface during installation to minimize cleanup and prevent surface damage.**

WATER TESTING

Before finishing the installation, it is recommended that the bath be water tested and the plumbing tested for leaks.

1. **Before water testing the bath,** make sure any pump unions are hand tight. Do not over tighten or use a pipe wrench. This will damage the unions and cause leaking. If the unit leaks with the unions hand tight, then loosen the unions(s) and check the O-ring seal to ensure it is properly seated.
2. **Fill and operate the bath.** Close the drain and fill the bath with water to at least 10 inches [25 cm] below the bath deck. The inlet temperature should not exceed 40°C (104°F). Refer to the **FILLING AND DRAINING** section of this owner's manual for more information.

NEVER RUN THE PUMP WITHOUT ENOUGH WATER IN THE BATH TO COVER THE JETS.

3. **Inspect the plumbing for leaks.**
4. **Turn the equipment Off and then drain the water.** The bath unit and its plumbing are designed to drain after each use whether used as a hydrotherapy bath, soaking bath, or when taking a shower.

WHIRLPOOL CONTROL BOX CONNECTIONS

STANDARD EDITION WHIRLPOOL

Jason's Standard Edition Whirlpool system features the best in luxury bathing for the leisure bath industry. To assure that your bath functions properly, the pump control box must be properly connected.

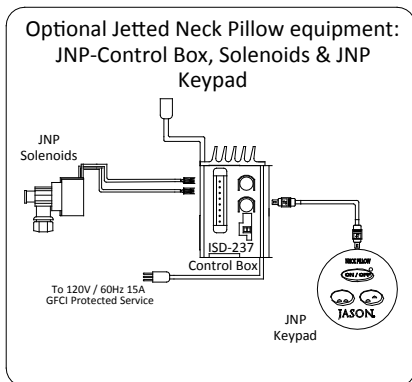
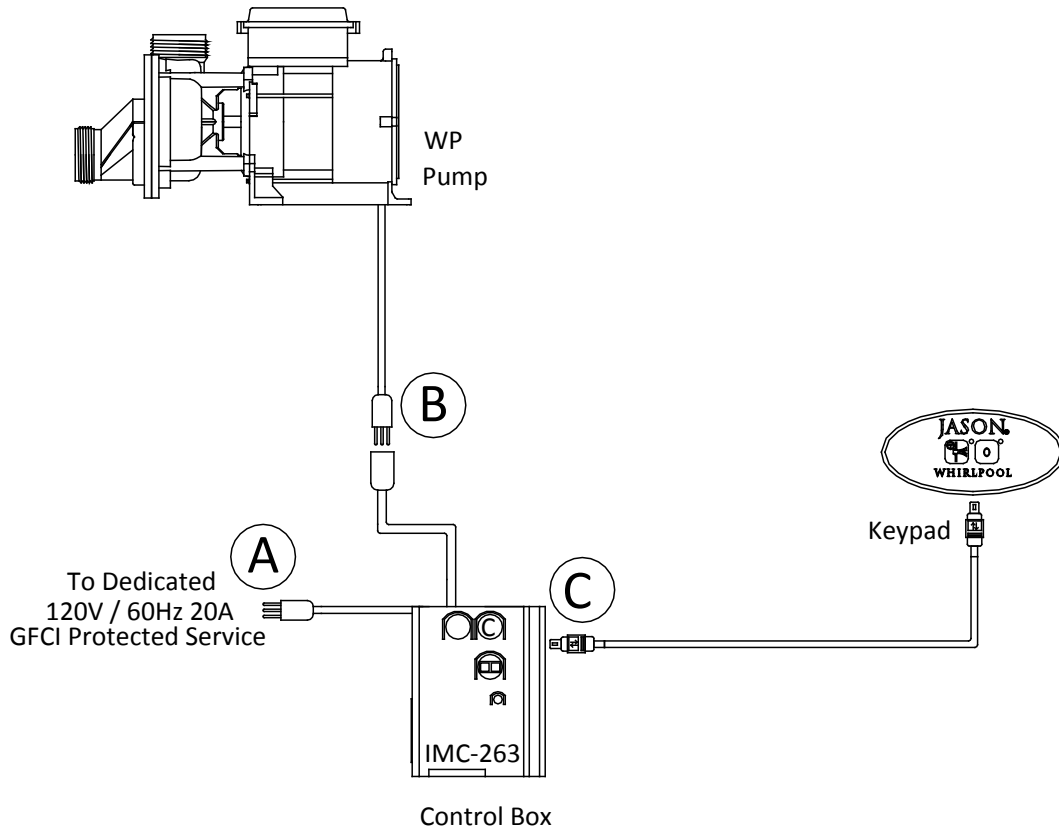
NOTE: For 120V systems, the power cord for the Whirlpool control box must be plugged into a 120V, 20 amp GFCI dedicated circuit.

The Whirlpool Control Box

The pump and keypad must be plugged into the proper receptacles for correct operation of the Whirlpool system. See **Figure 5** for connections:

- (A) The power cord for the Whirlpool control box must be connected into the proper GFCI dedicated circuit for the system (see note).
- (B) The Whirlpool pump's power cord will need to be plugged into the control box. Refer to the **ELECTRICAL** section of this manual for connecting the pump to the control box.
- (C) Eight-pin mini-DIN terminal for the Whirlpool keypad.

Figure 5



NOTE: This diagram also applies to 50 Hz, 240V pumps, controls, and power supply systems. Except that the Whirlpool pump junction boxes must be connected into one dedicated 240V, 20 amp GFCI circuit.

PREMIER EDITION WHIRLPOOL

Jason's Premier Edition Whirlpool system incorporates all the features of the Standard Edition system and includes the benefits of a combination pump/heater, ozone sanitation system, and an LED Chromatherapy light. To assure that your bath functions properly, the pump control box must be properly connected.

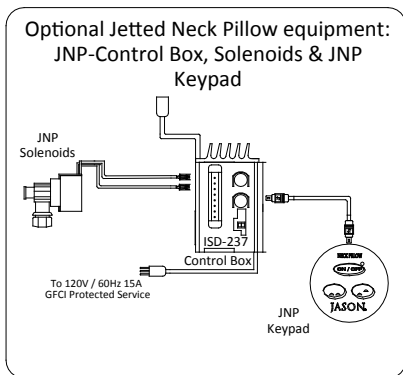
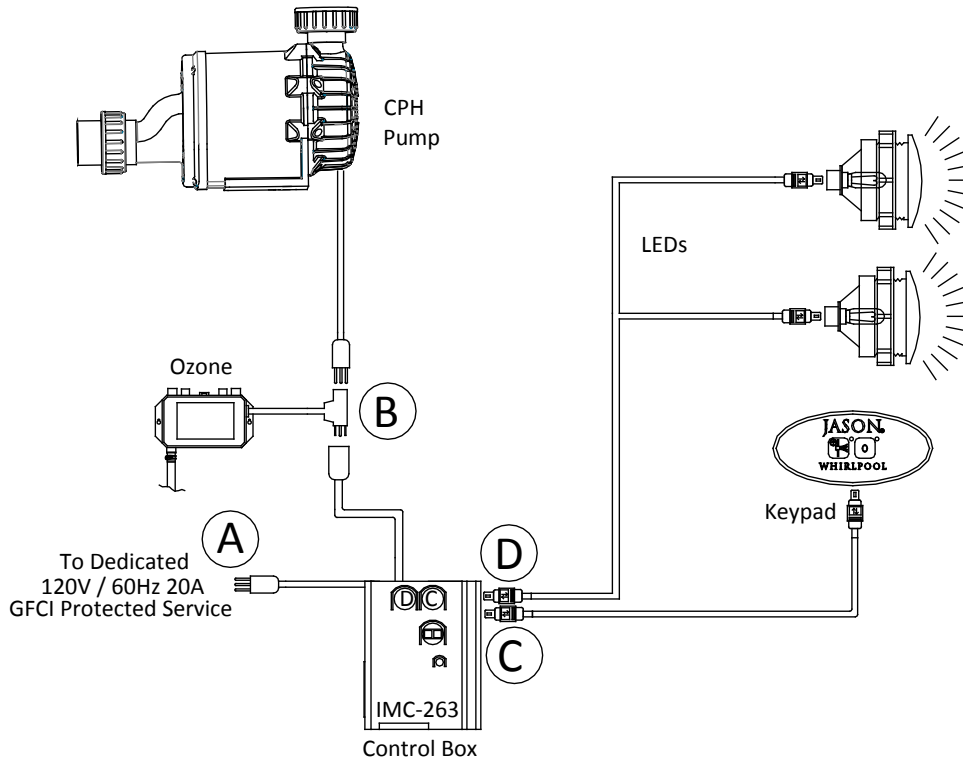
NOTE: For 120V systems, the power cord for the Whirlpool control box must be plugged into a 120V, 20 amp GFCI dedicated circuit.

The Whirlpool Control Box

The pump, keypad, LED light, and Ozone Sanitation Unit must be plugged into the proper receptacles for correct operation of the Whirlpool system. See **Figure 6** for connections:

- (A) The power cord for the Whirlpool control box must be connected into the proper GFCI dedicated circuit for the system (see note).
- (B) The Whirlpool pump's power cord should be plugged into the female cord connection on the ozone unit, prewired to the control box.
- (C) Eight-pin mini-DIN terminal for the Whirlpool keypad.
- (D) Six-pin mini-DIN terminal for LED light.

Figure 6



NOTE: This diagram also applies to 50 Hz, 240V pumps, controls, and power supply systems. Except that the Whirlpool pump junction boxes must be connected into one dedicated 240V, 20 amp GFCI circuit.

SIGNATURE EDITION WHIRLPOOL

Jason’s Signature Edition Whirlpool system is the most advanced bath manufactured by Jason International, Inc. and features the ultimate in luxury bathing for the leisure bath industry. The pump control box must be properly connected for the bath to function correctly.

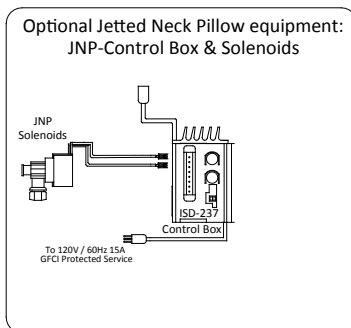
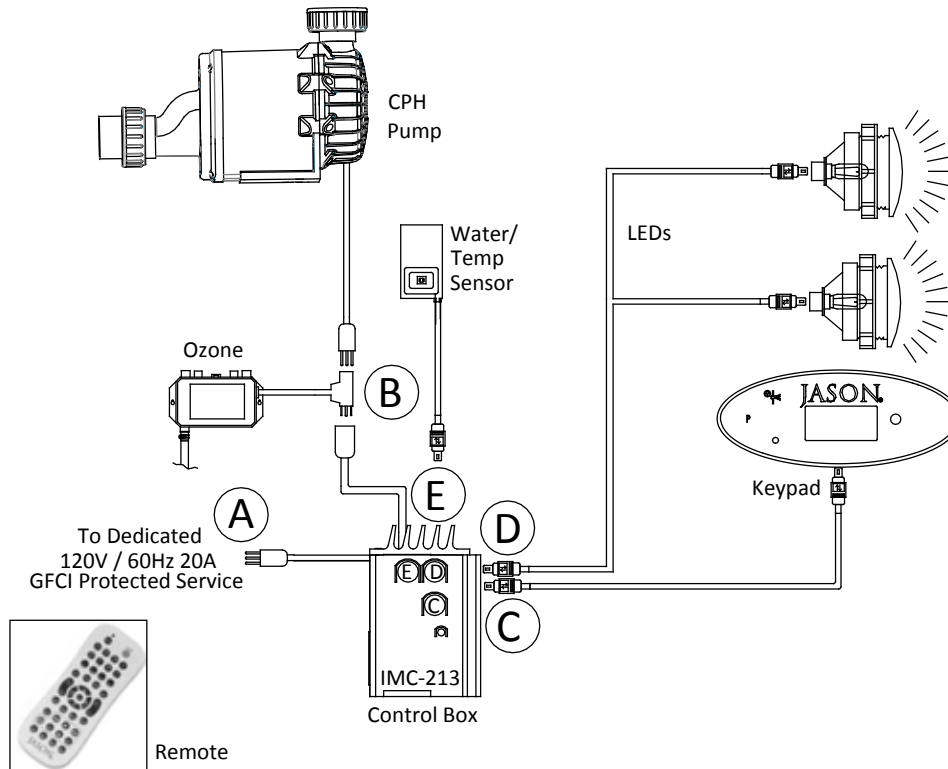
NOTE: For 120V systems, the power cord for the Whirlpool control box must be plugged into a 120V, 20 amp GFCI dedicated circuit.

The Whirlpool Control Box

The pump, keypad, LED light, Ozone Sanitation Unit and Water Level/Temperature Sensor must be plugged into the proper receptacles for correct operation of the Whirlpool system. See **Figure 7** for connections:

- (A) The power cord for the Whirlpool control box must be connected into the proper GFCI dedicated circuit for the system (see note).
- (B) The Whirlpool pump’s power cord should be plugged into the female cord connection on the ozone unit, prewired to the control box.
- (C) Eight-pin mini-DIN terminal for the Whirlpool keypad.
- (D) Six-pin mini-DIN terminal for LED light.
- (E) Six-pin mini-DIN terminal for installation of the water sensor to the pump control box.

Figure 7



NOTE: This diagram also applies to 50 Hz, 240V pumps, controls, and power supply systems. Except that the Whirlpool pump junction boxes must be connected into one dedicated 240V, 20 amp GFCI circuit.

OPERATING INSTRUCTION, FEATURES, AND CONTROLS

INTRODUCTION

This manual contains all information needed for the proper installation and operation of your Jason Whirlpool bath. The bath has been designed to give you years of relaxing trouble-free service, provided the unit is maintained and operated in accordance with these instructions.

Thoroughly clean and disinfect the unit as described in the **CLEANING** section of the **USER MAINTENANCE INSTRUCTIONS** section of this owner's manual before its first use and periodically thereafter.

CAUTION: Keep hair, towels, and clothing away from the suction fitting whenever the equipment is On. Never operate the equipment with the suction cover off, as doing so voids the manufacturer's warranty. It is a safety cover designed to eliminate the potential of hair and body entrapment.

All Jason Whirlpool baths are pre-plumbed at the factory.

WARNING: Before operating refer to the instructions at the end of this owner's manual pertaining to the risk of fire, electric shock, or injury to persons.

FEATURES AND CONTROLS

STANDARD AND PREMIER EDITION WHIRLPOOL

The Jason Standard Edition Whirlpool bath system includes a quiet 1 1/2-HP, 1 speed pump (or two each 1-HP, 1-speed pumps on the LS640); an electronic control with a 20-minute timer.

The Jason Premier Edition Whirlpool bath provides all the features of the Standard Edition with the included benefits of a silent 1 1/2-HP, 1 speed Whirlpool combination pump/heater, LED Chromatherapy Mood Light, and an Ozone Sanitation system.

Standard/Premier Touchpad

One main control touchpad mounted on the bath deck contains several icons used by the bather to control the pump, and LED mood light. A built in timer shuts the pump off 20 minutes after being activated.

SIGNATURE EDITION WHIRLPOOL

The Jason Signature Edition Whirlpool bath system includes a silent 1 1/2-HP, 1 speed combination pump/heater (also a 1-HP secondary pump on the LS640); Chromatherapy mood light; Automatic Ozone System that will be operated any time the pump is powered; a digital control with LCD display window; low water and temperature sensors; and a 20-minute timer.

Signature Touchpad

A main control touchpad mounted on the bath deck features a LCD readout which alternately indicates the water temperature (+/- 5°F) and time remaining. The Signature Edition touchpad allows the bather to control the pump, LED mood light and optional jetted neck pillow. A built in timer shuts the pump off 20 minutes after being activated.

Signature Remote Control

In addition to the main control touchpad installed on the bath deck, a floating, waterproof Universal Remote Control is provided with all Signature Edition Whirlpool baths. This remote control provides the same control functions as the bath's main control console, plus the bather may remotely operate a TV, DVD, VCR, CD, etc. Refer to the Instruction Manual provided with the remote control for detailed instructions.

Jets

Strategically placed whirlpool jets are provided for complete enjoyment of your bath. The jets are specially designed for maximum whirlpool action with either directional or rotational capabilities. By changing the direction of the jets, you can concentrate the massaging jet stream to your area of preference. You can also individually adjust the flow of each whirlpool jet.

Pumps

Pumps provided on Jason baths are factory tested when assembled and retested after installation on the bath. These pumps are of efficient design incorporating high quality long life seals which provide superior service. However, should the pump need service, suction barbs and discharge unions are provided for easy pump removal.

Filling And Draining

Close the drain and fill the bath with water at least two (2) inches (50mm) above the jets. The inlet temperature should not exceed 40°C (104°F). When bath is in use, turn the unit Off before draining the water. The bath unit and its plumbing are designed to drain after each use whether used as a hydrotherapy bath, soaking bath, or just taking a shower.

NOTE: If the unit fails to operate, check the breaker panel to insure that the circuit breaker is on. Check the GFCI by testing and resetting it. Also check the water level in the bath; it must be above the jets for the pump to operate. If the unit still fails to operate, refer to the Trouble Shooting Guide section of this manual. If the unit still fails to operate and is out of warranty, contact an authorized service technician for repair. If the unit is within the warranty period, contact JASON Technical Services at 800-255-5766. **DO NOT ATTEMPT TO RESOLVE THE PROBLEM.**

STANDARD AND PREMIER EDITION WHIRLPOOL TOUCHPAD

Figure 8



OPERATING INSTRUCTIONS

Whirlpool On/Off Icon

The Whirlpool icon is used to activate the whirlpool pump and the 20-minute timer.

- Pressing the icon the first time starts the pump.
- Pressing the icon again will shut the pump off.

Option

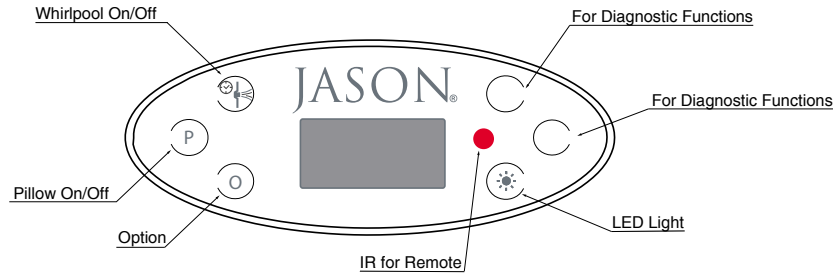
The Option icon is used to operate an LED light (if installed).

- Press the icon for less than two (2) seconds to turn the lights Off or On.
- Hold the icon for more than two (2) seconds to change modes.

This function has a two (2) hour timer and remembers the last mode.

SIGNATURE EDITION WHIRLPOOL TOUCHPAD

Figure 9



OPERATING INSTRUCTIONS

Whirlpool On/Off Icon

To control the operation of the whirlpool pump motor, press and release for each setting: ON or OFF. A 20 minute decreasing timer will be initiated when the pump motor starts. Press and hold the Pump icon to cycle through each pump setting. The Pump icon lights when the water is at operating level and the LCD displays "System Ready". The LCD will display "WP on" or "WP off" when the key is pressed. It also toggles between Temperature and Timer at 5 second intervals. "Low Water" is displayed for 5 seconds if no water is detected.

Jetted Neck Pillow Icon [Optional]

To control the operation of the jetted neck pillow, press and release for each setting, you can set for a constant flow on both jets, a pulsing flow on both jets, or a pulsing alternating flow between jets. Press and hold the Pillow icon to cycle through the various pillow settings. The Pillow icon will light whenever the pump is running. The solenoids will open for two (2) minutes to drain during the purge cycle countdown. The LCD will display "Pillow On", "Pillow Pulse1", "Pillow Pulse2", or "Pillow Off" while the key is pressed

LED Light Icon

Hold the key for less than two (2) seconds to turn the lights Off or On. Hold the key for more than two (2) seconds to change modes. The Light icon should remain lit as long as the bath is connected to a power supply. This function has a two-hour timer and remembers the last mode. The LCD displays "Light On" or "Light Off" while the key is pressed for less than two (2) seconds, "Light Cycle" is displayed if pressed for more than two (2) seconds.

Option ("O" Icon)

This key is used to control the optional second jetted neck pillow on the LS640 model. See the Jetted Neck Pillow section above.

Customized Settings

The 12 character LCD display can be customized by pressing the two Diagnostic Function icons simultaneously for five (5) seconds, while the system is off. Note : Use the above figure to locate the icons. A menu will be displayed to choose the following: Product Test Diagnostics, Temperature (F or C) and Language (English or Spanish).

Menu Instructions

Use the top Diagnostic Function icon to scroll through the different menu items. Use the bottom Diagnostic Function icon to change an option. For example, press and release the top icon to change from Product Test to the Temperature option. Press and release the bottom icon to change the temperature display from F (Fahrenheit) to C (Celsius).

Product Test Diagnostics

After selecting the Product Test option from the menu, the unit will perform a series of tests to confirm correct installation of components. The test will begin by displaying the configuration number, followed by the software revision number. Next, the auxiliary control box will be tested to ensure proper IR communication (if applicable). The display will then test the Temperature and Low Water level sensor (ITW-209). Next, each of the six (6) icon buttons will begin to light. Press the illuminated button to proceed to the next icon. After the icon test, the pump will start for two (2) seconds on the High setting. Lastly, the LED Light unit will be tested. If you receive an error on any of the tests, confirm proper installation of component to the correct control box. (See the **CONTROL BOX CONNECTIONS** section).

Remote Control

The Signature Edition control system includes a waterproof floating Universal Remote Control. It controls all bath functions plus a TV, DVD, CD, etc. which can be heard through the Sound Immersion Transducers (optional).

USER MAINTENANCE INSTRUCTIONS

HUMIDITY

WARNING: Avoid high humidity levels in your home. Mold, mildew, fungi and bacteria which may be harmful to health thrive in areas with continued high humidity levels; therefore, every precaution should be taken to make sure your plumbing fixtures including bathtubs, therapy baths, or showers do not become a source of high humidity due to improper installations or leaks.

To avoid having your plumbing fixtures become a source of unwanted humidity, please make sure the following steps are taken prior to installation.

1. Make sure the area where the bathtub or shower is installed is well vented and allows enough ventilation and air circulation to dry the bathroom environment within a short time after taking a bath or shower.
2. If your bath or shower unit is tiled-in, use units with an integral tile flange or make sure a tile flange kit or a similar mechanical barrier is installed to prevent shower spray, splash, or overflow to leak behind the bathtub.
3. Make sure the plumber properly tests your therapy bath before it is roughed in to make sure there are no leaks and it is installed with proper access to bath equipment.
4. Make sure that all the plumbing and fixtures in the bathroom are in good working order and have no leaks.
5. Do not use carpeting or other materials or furniture, which can hold moisture in your bathroom.
6. Use disinfectant to clean any bathroom surfaces which are regularly exposed to moisture.
7. Clean and disinfect humidifier and dehumidifiers as recommended by the manufacturer. Replace the air filter on the HVAC unit once a month.
8. Clean moldy surfaces as soon as any mold appears by using a detergent/soapy solution and appropriate household cleaner. Always use gloves during cleaning. Dispose of any sponges or rags used to clean mold.

CLEANING

With minimum care, your acrylic-surfaced bath will retain its high-luster finish for many years. For regular cleaning use Jason Bath Cleaner or a mild NONABRASIVE liquid detergent solution (i.e. glass cleaner) and a soft, wet cloth or sponge. Do not run the hydrotherapy system with foaming cleaners or soaps. Rinse the bath thoroughly after cleaning.

SURFACE MAINTENANCE

Areas with minor scratches or dull surfaces can be restored by applying commercially available plastic polish (i.e. Novus Plastic Polish No. 2, available at your Jason dealer), followed by an application of acrylic paste wax. Buff the surface with a clean soft cloth. Do not use sandpaper, steel wool, or abrasive rubbing compounds.

If scratches are too deep to rub out, or if the damage penetrates the acrylic surface, consult your dealer for recommendations on surface repair.

FLUSHING / SANITIZING

Upon start-up and not to exceed 90 days, your bath and plumbing system should be flushed. To do so, close the drain and fill the bath with warm water to at least two (2) inches [5.1 cm] above the highest jet. Pour in Jason Bath System Cleaner and follow the directions on the bottle. DO NOT use bleach or other chlorinated cleansers directly on the metal trim.

REPAIR

Refer all plumbing or electrical repair to a qualified service technician. **DO NOT ATTEMPT TO RESOLVE THE PROBLEM.** This can result in danger of electrical shock or damage to the unit and will **VOID THE WARRANTY.** Remember, when contacting your dealer or service representative, always have your serial number, proof of purchase, and model number. This will insure a quick response on warranty items. The serial number can be found on the front page of this manual or on the small card adhered to the back of the bath just above the equipment.

ALL WARRANTY REPAIRS MUST BE AUTHORIZED BY THE MANUFACTURER BEFORE WORK IS STARTED

TROUBLE SHOOTING GUIDE

If you believe the unit to be within the warranty period, you must contact **Jason Customer Service: 1-800-255-5766** with the bath's Product and Serial numbers before work is started.

ALL WARRANTY REPAIRS MUST BE AUTHORIZED BY JASON BEFORE WORK IS STARTED.

FOR SERVICE, ALWAYS CONTACT YOUR DEALER OR AUTHORIZED SERVICE CENTER

WARNING: Always turn off power at the main electrical service panel when servicing the bath.

WHIRLPOOL PUMP SYSTEM		
SYMPTOMS	POSSIBLE CAUSES	RECOMMENDED ACTION
Pump system won't start.	a) No power to the pump unit.	a) Reset circuit breakers and check GFCI. Check fuses and replace if bad.
	b) Pump motor is not plugged in.	b) Make sure plug is fully inserted into the outlet.
Pump operates, but no air is injected into water.	a) Air line is clogged.	a) Refer to installer/dealer.
Pump operates, but water is not being pumped.	a) Suction or discharge blocked.	a) Remove obstruction.
	b) Suction air leak. (System usually surges.)	b) Make sure union is tight on suction side of the pump.
Pump does not manually shutoff.	a) Defective keypad or control	a) Refer to installer/dealer. Replace keypad or control.
Pump unions leak.	a) Unions cracked, under-tightened, over-tightened, or O-ring is not seated properly (possibly pinched).	a) Refer to installer/dealer. Replace keypad or control.
Pump shuts off by itself before set time elapses.	a) Pump motor overheated and thermal protection device deactivated motor. (Possibly low voltage.)	a) Make sure motor air cooling vents are not blocked. Clear and allow motor to cool down. (Check service & wire size.)
	b) GFCI tripped.	b) Refer to installer /dealer.
	c) Water fell below recommended level.	c) Fill to recommended level (2" [50 mm] above jets).
Pump does not turn off after set time elapses.	a) Wiring error or control problem.	a) Refer to installer/dealer.
LED light will not operate.	a) LED light is loose in socket.	a) Access LED light and assure it is properly installed in socket.
	b) LED cable disconnected.	b) Verify correct cable connections.

WARRANTY REGISTRATION: Register your product's warranty online at www.jasoninternational.com.

WARRANTY

Jason International, Inc. (Jason), warrants its baths to be free from defects in workmanship and materials as provided in the enclosed Warranty Statement and Warranty validation card.

The pre-addressed warranty registration card **MUST** be filled out by the purchaser within thirty (30) days from purchase and mailed to Jason International, Inc., in order for limited warranty to become effective.

IMPORTANT SAFETY INSTRUCTIONS

INSTRUCTIONS PERTAINING TO THE RISK OF FIRE, ELECTRIC SHOCK, OR INJURY TO PERSONS.

This manual contains information and instructions for proper operation and maintenance of your therapy bath. Failure to follow these instructions could result in personal injury, electrical shock, or fire.

WARNING: When using this unit, basic precautions should always be followed, including the following:

READ AND FOLLOW ALL INSTRUCTIONS CAREFULLY

DANGER: TO REDUCE THE RISK OF INJURY FOLLOW THESE PRECAUTIONS:

- A. Do not permit children to use this product unless they are closely supervised at all times.
- B. Use this unit only for its intended use as described in this manual. Do not use attachments not recommended by the manufacturer.
- C. The water in a therapy bath should never exceed 40°C (104°F). Water temperatures between 38°C (100°F) and 40°C (104°F) are considered safe for a healthy adult. Use time should be limited to approximately 30 minutes, followed by a shower to cool down. Longer exposures may result in hyperthermia. The symptoms of this condition are nausea, dizziness and fainting, and it can be fatal. Lower water temperatures are recommended for extended use (exceeding 10 -15 minutes) and for young children.
- D. Since excessive water temperatures have a high potential for causing fetal damage during the early months of pregnancy, pregnant or possibly pregnant women should limit therapy bath water temperatures to 38°C (100°F).
- E. The use of drugs or alcoholic beverages before or during therapy bath use may lead to unconsciousness with the possibility of drowning. Never use the therapy bath while under the influence of alcohol, anticoagulants, stimulants, antihistamines, vasoconstrictors, vasodilators, hypnotics, narcotics, or tranquilizers.
- F. Persons with a medical history of heart disease, low or high blood pressure, circulatory system problems, or diabetes should consult a physician before using a therapy bath.
- G. Persons using medication should consult a physician before using a therapy bath since some medication may induce drowsiness while other medication may affect heart rate, blood pressure, and circulation.

DANGER: To reduce the risk of injury, enter and exit the bath slowly. Do not operate this unit unless the suction cover is attached over the suction inlet fitting and the jet assemblies are installed. There should be at least two (2) inches of water above the highest jet location during therapy bath operation. **NEVER RUN UNIT DRY.**

WARNING: Never operate electrically connected devices in or near the bath. Never drop or insert any object into any opening.

This unit must be connected to a supply circuit that is protected by a GFCI. Such a device should be installed by a licensed electrician and should be tested on a regular basis (at least monthly). To test the GFCI push the **TEST** button. The GFCI should interrupt the power. Push the **RESET** button and the power should be restored. If the GFCI fails to operate in this manner, there is the possibility of an electric shock. **DO NOT USE.** Disconnect the unit and have the problem corrected by a qualified service technician.

To avoid the possibility of personal injury and discoloration of the acrylic surface, the inlet water temperature should not exceed 40°C (104°F). The bath should be drained after each use. Each bather should start their bath with fresh water. Do not use oil base additives in your therapy bath.

CAUTION: Do not use harsh abrasives or solvents for cleaning this unit.

**INSTALLER/OWNER BEARS ALL RESPONSIBILITY TO COMPLY WITH ALL STATE
AND LOCAL CODES WHEN INSTALLING THIS PRODUCT.**

SAVE THESE INSTRUCTIONS

JASON INTERNATIONAL, INC.

8328 MacArthur Drive • North Little Rock • Arkansas • 72118

www.jasoninternational.com