

UNDERMOUNTABLE: No

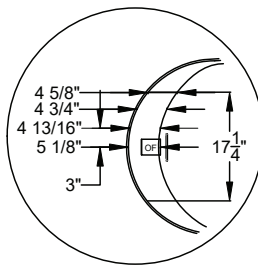
FAUCETRY DECK: Yes

TEXTURED FLOOR: No

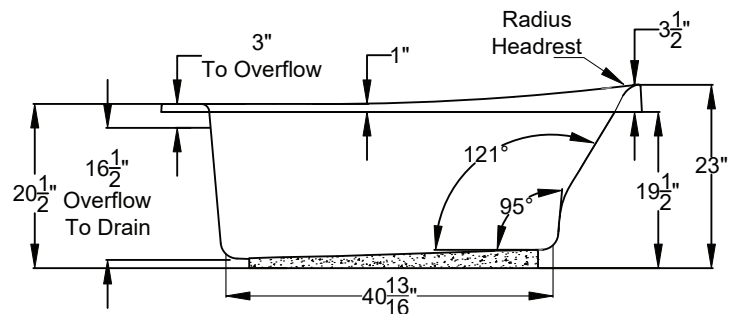
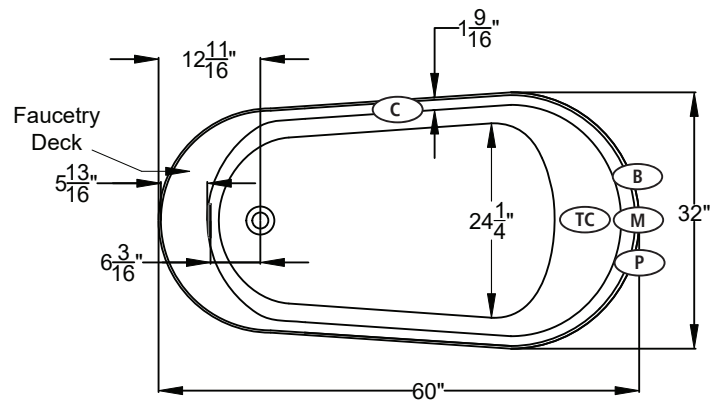
<div style="text-align: center;"> S SOAKING <small>Includes Level-Form™ Base</small> </div> <div style="text-align: center; font-size: 24pt; font-weight: bold;">\$3,115</div> <div style="text-align: center; font-size: 18pt; font-weight: bold;">(1199.00.00.CC)</div>		<small>All hydrotherapy equipment is rated for 120V, 20A (US) Consult Spec Sheet on website for Boxed Weight & Cube. .CC = Color Code / See page 155 for color options.</small> Operating Cap: 34 U.S. Gal.		<div style="text-align: center; font-weight: bold;">STANDARD</div> <small>Includes: • Linear Overflow Drain • Touch Control Pad • 20-minute timer</small>		<div style="text-align: center; font-weight: bold;">PREMIER</div> <small>All Standard features plus: • Ozone • Digital Control Pad • LED Chromatherapy</small>	
				<div style="text-align: center; font-weight: bold;">\$6,255</div> <div style="text-align: center; font-size: 10pt;">(1199.00.11.CC)</div>		<div style="text-align: center; font-weight: bold;">\$7,475</div> <div style="text-align: center; font-size: 10pt;">with Whirlpool heater (1199.00.15.CC)</div>	
W WHIRLPOOL	Includes 5 adjustable jets and 2 foot jets with pump unit indicated.						
a AIRMASSEUR®	Includes 42 strategically located air jets, 1hp blower w/ heater.						
m MICROSILK®	Includes 1 MicroSilk delivery port, MicroSilk unit.						
aw AIRMASSEUR® WHIRLPOOL	Includes 5 adjustable jets, 2 foot jets and 42 air jets; 1.5 hp pump; 1hp blower w/ heater. Combines all features provided with both W & a equipped Standard or Premier baths, respectively.						
mw MICROSILK® WHIRLPOOL		N/A		N/A			
ma MICROSILK® AIRMASSEUR®	Includes 1 MicroSilk delivery port, 42 strategically located air jets; MicroSilk unit; 1hp blower w/ heater. Combines all features provided with both a & m equipped Standard or Premier baths, respectively.						
		<div style="text-align: center; font-weight: bold;">\$9,355</div> <div style="text-align: center; font-size: 10pt;">(1199.00.81.CC)</div>		<div style="text-align: center; font-weight: bold;">\$10,575</div> <div style="text-align: center; font-size: 10pt;">(1199.00.85.CC)</div>			

Designer
DROP-IN

Control pad can be mounted on opposing side of vessel by request.



Faucetry Deck
Flat Dimensions



- C Control Location
- B Blower Location
- M MicroSilk® Unit Location
- TC Thermo Comfort Heating Pad Location
- P Whirlpool Pump Location

Bath Options		For handle information, see page 127. For details & additional options, see page 128-130.	
ACRYLIC HANDLE			N/A
JETTED NECK PILLOW - Page 128 W	8707-50-0CC		\$1,145
BACKSTACK™ JETS			N/A
BLUETOOTH SOUND IMMERSION SYSTEM - Page 128	8724-01-000		\$835
WATER LEVEL SENSOR - Page 128	8724-02-000		\$1,030
THERMO COMFORT - Page 129 S W m	8706-04-XXX		\$840
MICROSILK SHOWER WAND - Page 129	Polished Chrome	8705-55-091	\$505
LINEAR OVERFLOW DRAIN KITS - For finish options, see Page 129.	Polished Chrome	MLD-PC	Included
	Optional Finishes	MLD-XX	ADD \$120