

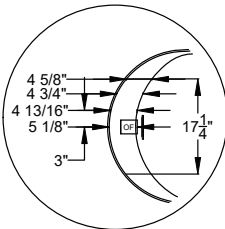
UNDERMOUNTABLE: No

FAUCETRY DECK: Yes

TEXTURED FLOOR: No

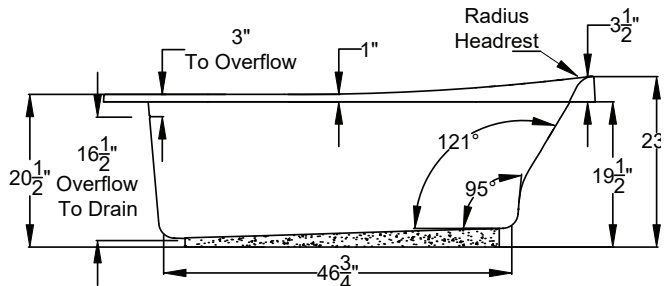
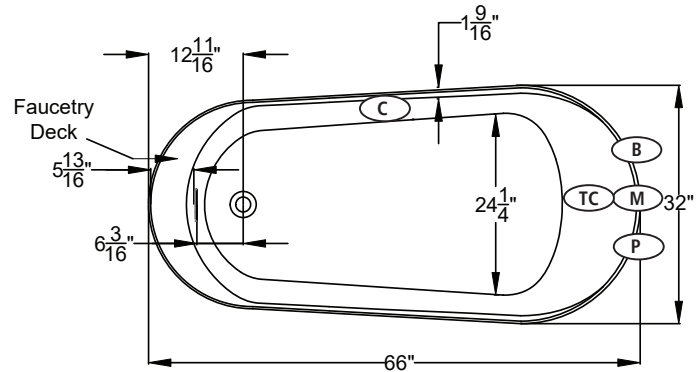
<div style="text-align: center;"> S SOAKING <small>Includes Level-Form™ Base</small> </div> <div style="text-align: center; font-size: 24pt; font-weight: bold;">\$3,255</div> <div style="text-align: center; font-size: 18pt; font-weight: bold;">(1203.00.00.CC)</div>		<small>All hydrotherapy equipment is rated for 120V, 20A (US) Consult Spec Sheet on website for Boxed Weight & Cube. .CC = Color Code / See page 155 for color options.</small> Operating Cap: 39 U.S. Gal.		STANDARD <small>Includes:</small> <ul style="list-style-type: none"> • Linear Overflow Drain • Touch Control Pad • 20-minute timer 	PREMIER <small>All Standard features plus:</small> <ul style="list-style-type: none"> • Ozone • Digital Control Pad • LED Chromatherapy
		W WHIRLPOOL	a AIRMASSEUR[®]	m MICROSILK[®]	aw AIRMASSEUR[®] WHIRLPOOL
Includes 5 adjustable jets and 2 foot jets with pump unit indicated.		\$6,395 (1203.00.11.CC)	\$7,615 with Whirlpool heater (1203.00.15.CC)		
Includes 43 strategically located air jets, 1hp blower w/ heater.		\$6,495 (1203.00.21.CC)	\$7,715 (1203.00.25.CC)		
Includes 1 MicroSilk delivery port, MicroSilk unit.		\$6,255 (1203.00.61.CC)	\$7,475 (1203.00.65.CC)		
Includes 5 adjustable jets, 2 foot jets and 43 air jets; 1.5 hp pump; 1hp blower w/ heater. Combines all features provided with both (W) & (a) equipped Standard or Premier baths, respectively.		\$8,335 (1203.00.31.CC)	\$9,555 with Whirlpool heater (1203.00.35.CC)		
		N/A	N/A		
Includes 1 MicroSilk delivery port, 43 strategically located air jets; MicroSilk unit; 1hp blower w/ heater. Combines all features provided with both (a) & (m) equipped Standard or Premier baths, respectively.		\$9,495 (1203.00.81.CC)	\$10,715 (1203.00.85.CC)		

Control pad can be mounted on opposing side of vessel by request.



Faucetry Deck
Flat Dimensions

NOTE: Overflow fitting will extend approx. 3". Allow for faucetry plumbing accordingly.



*Blower must be remote mounted on MicroSilk®-AirMasseur® See page 130 for remote blower mounting.

- C Control Location
- B Blower Location
- M MicroSilk® Unit Location
- TC Thermo Comfort Heating Pad Location
- P Whirlpool Pump Location

NOTE: **(ma)** equipment may extend beyond the perimeter of the bath. Consult factory for details.

Bath Options

For handle information, see page 127.
For details & additional options, see page 128-130.

ACRYLIC HANDLE		N/A
JETTED NECK PILLOW - Page 128 W	8707-50-0CC	\$1,145
BACKSTACK™ JETS		N/A
BLUETOOTH SOUND IMMERSION SYSTEM - Page 128	8724-01-000	\$835
WATER LEVEL SENSOR - Page 128	8724-02-000	\$1,030
THERMO COMFORT - Page 129 S W m	8706-04-XXX	\$840
MICROSILK SHOWER WAND - Page 129	Polished Chrome 8705-55-091	\$505
LINEAR OVERFLOW DRAIN KITS - For finish options, see Page 129.	Polished Chrome MLD-PC	Included
	Optional Finishes MLD-XX	ADD \$120