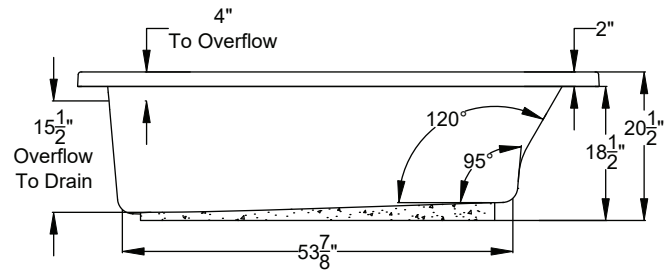
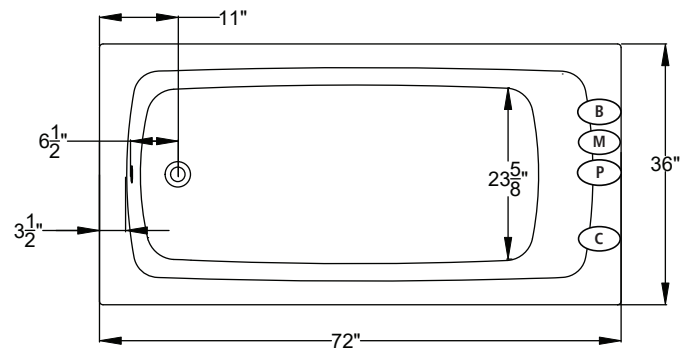
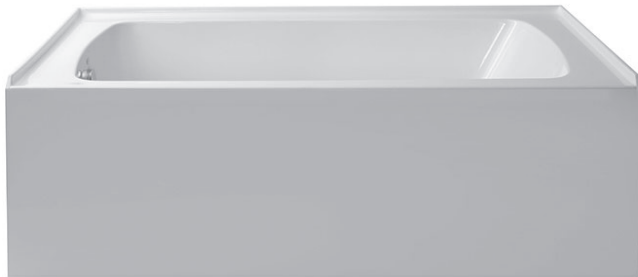


UNDERMOUNTABLE: No

FAUCETRY DECK: No

TEXTURED FLOOR: No

<p>(S) SOAKING Includes Level-Form™ Base</p>		<p>\$3,105 (SL) = (3198.40.00.CC) (SR) = (3198.50.00.CC)</p>	<p>All hydrotherapy equipment is rated for 120V, 20A (US) Consult Spec Sheet on website for Boxed Weight & Cube. .CC = Color Code / See page 155 for color options. Operating Cap: 50 U.S. Gal.</p>	<p>End-Access Required. Order Removable Access Panel for Front Access.</p>	
				SKIRT LEFT	SKIRT RIGHT
<p>(W) WHIRLPOOL</p>	<ul style="list-style-type: none"> 1 hp, 120V pump - Air on/off control Includes 5 adjustable jets 			\$4,400 (3198.40.17.CC)	\$4,400 (3198.50.17.CC)
<p>(a) AIRMASSEUR®</p>	<ul style="list-style-type: none"> ¾ hp, 120V blower - Air on/off control with 20-minute timer & purge 44 strategically located air jets 20-minute timer with purge cycle 			\$4,930 (3198.40.27.CC)	\$4,930 (3198.50.27.CC)
<p>(m) MICROSILK®</p>	<ul style="list-style-type: none"> 120V MicroSilk® System - Air on/off control with a 20-minute timer Includes 1 MicroSilk® delivery port 			\$5,005 (3198.40.67.CC)	\$5,005 (3198.50.67.CC)



Bath Options

For handle information, see page 127.
For additional options and details, see page 128-130.

REMOVABLE FRONT ACCESS PANEL - Page 131 Factory Installed	8700-09-0CC	\$650
GH400 GRIP HANDLES Factory Installed. Accepts 2 handles. Price is per handle. If 1 handle is desired, indicate installation location.		\$240
AUTOMATIC OZONE SYSTEM - Page 128	(W) (M) OZONE-100	\$700
	(a) OZONE-200	\$700
STAINLESS STEEL HEATER - Page 128	(W) 8706-11-106	\$455
OVERFLOW DRAIN ASSEMBLY - Page 129 (Group BE)	WT 8705-15-001	\$275
	BQ 8705-15-040	\$275
	Polished Chrome 8705-15-091	\$160
	Polished Nickel 8705-15-092	\$275
	Brushed Nickel 8705-15-095	\$275
	Oil Rubbed Bronze 8705-15-098	\$275
MICROSILK SHOWER WAND - Page 129	Polished Chrome 8705-55-091	\$505
TILE FLANGE KIT - Page 129		N/A

(M) MicroSilk® Unit Location **(P)** Pump Location
(B) Blower Location **(C)** Control Location