

UNDERMOUNTABLE: No

FAUCETRY DECK: No

TEXTURED FLOOR: Yes

(S)

## SOAKING

Includes Level-Form™ Base

**\$3,295**  
(2169.00.00.CC)

All hydrotherapy equipment is rated for 120V, 20A (US)  
Consult Spec Sheet on website for Boxed Weight & Cube.  
.CC = Color Code / See page 155 for color options.

Operating Cap: 58 U.S. Gal.

### STANDARD

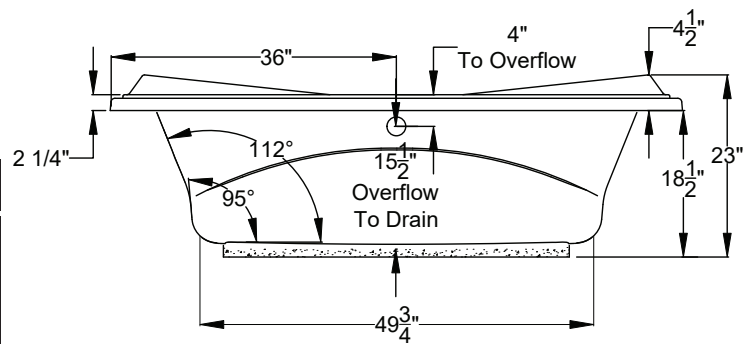
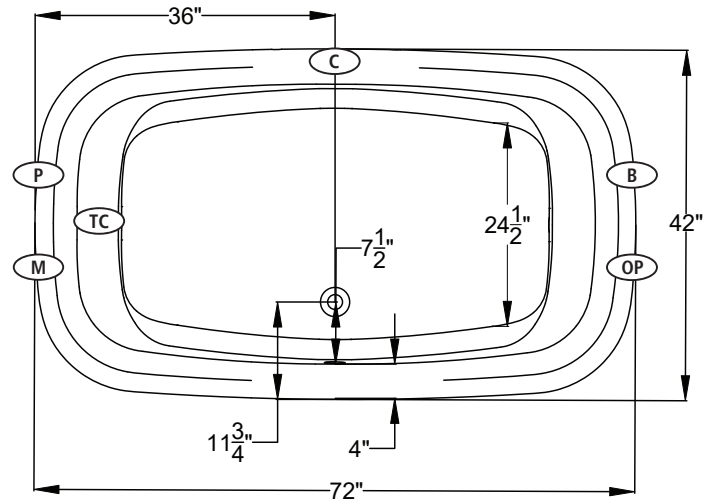
Includes:  
• 120V Systems  
• Touch Control Pad  
• 20-minute timer

### PREMIER

All Standard features plus:  
• Ozone  
• Digital Control Pad  
• LED Chromotherapy

		STANDARD	PREMIER
(W) WHIRLPOOL	Includes 6 adjustable jets with pump unit indicated.	<b>\$6,435</b> (2169.00.11.CC)	<b>\$7,655</b> with Whirlpool heater (2169.00.15.CC)
(a) AIRMASSEUR <sup>®</sup>	Includes 48 strategically located air jets, 1hp blower w/ heater.	<b>\$6,535</b> (2169.00.21.CC)	<b>\$7,755</b> (2169.00.25.CC)
(m) MICROSILK <sup>®</sup>	Includes 1 MicroSilk delivery port, MicroSilk unit.	<b>\$6,295</b> (2169.00.61.CC)	<b>\$7,515</b> (2169.00.65.CC)
(aw) AIRMASSEUR <sup>®</sup> WHIRLPOOL	Includes 6 adjustable jets and 48 air jets; 1.5 hp pump; 1hp blower w/ heater. Combines all features provided with both (w) & (a) equipped Standard or Premier baths, respectively.	<b>\$8,375</b> (2169.00.31.CC)	<b>\$9,595</b> with Whirlpool heater (2169.00.35.CC)
(mw) MICROSILK <sup>®</sup> WHIRLPOOL	Includes 6 adjustable jets and 1 MicroSilk delivery port; MicroSilk unit; 1.5 hp pump. Combines all features provided with both (w) & (m) equipped Standard or Premier baths, respectively.	<b>\$9,430</b> (2169.00.71.CC)	<b>\$10,650</b> with Whirlpool heater (2169.00.75.CC)
(ma) MICROSILK <sup>®</sup> AIRMASSEUR <sup>®</sup>	Includes 1 MicroSilk delivery port, 48 strategically located air jets; MicroSilk unit; 1hp blower w/ heater. Combines all features provided with both (a) & (m) equipped Standard or Premier baths, respectively.	<b>\$9,535</b> (2169.00.81.CC)	<b>\$10,755</b> (2169.00.85.CC)

Designer  
DROP-IN



## Bath Options

For handle information, see page 127.  
For details & additional options, see page 128-130.

GH20 HANDLE - Factory installed. Accepts 1 handle across from overflow.	8709-24-0CC	\$240
JETTED NECK PILLOW - Page 128 (W) (aw) (mw)	8707-50-0CC	\$1,145
BACKSTACK™ JETS - Page 128 (W) (mw)	8707-30-001	\$930
BLUETOOTH SOUND IMMERSION SYSTEM - Page 128	8724-01-000	\$835
WATER LEVEL SENSOR - Page 128	8724-02-000	\$1,030
THERMO COMFORT - Page 129	8706-04-XXX	\$840
MICROSILK SHOWER WAND - Page 129	Polished Chrome 8705-55-091	\$505
DESIGNER OVERFLOW DRAIN KITS - For finish options, see Page 129.	Polished Chrome DDK-PC	\$160
	Optional Finishes DDK-XX	\$275

- (C) Control Location
  - (M) MicroSilk® Unit Location
  - (P) Whirlpool Pump Location
  - (B) Blower Location
  - (TC) Thermo Comfort Heating Pad Location
  - (OP) Optional pump location available on (W) only. Please designate pump location.
- 1 set of Back-Stack™ jets on (W) (mw) (Optional)

