

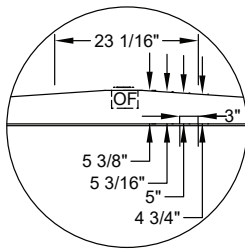
UNDERMOUNTABLE: Yes

FAUCETRY DECK: Yes

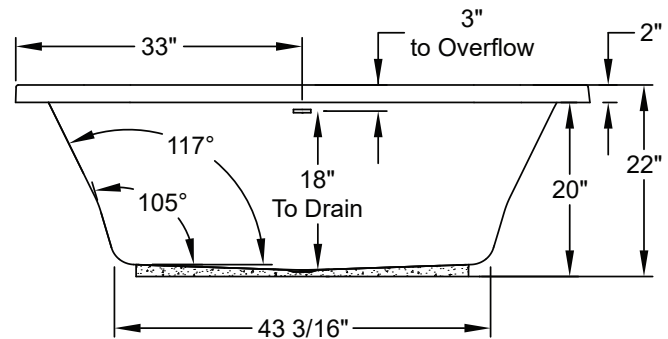
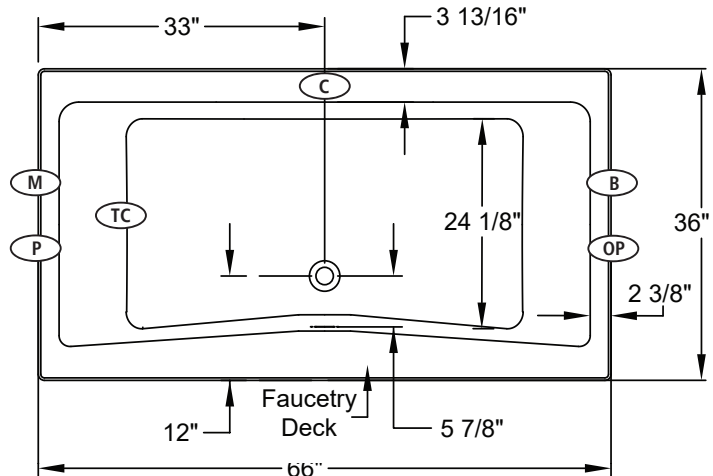
TEXTURED FLOOR: No

<div style="text-align: center;"> S SOAKING <small>Includes Level-Form™ Base</small> </div> <div style="text-align: center; font-size: 24pt; font-weight: bold;">\$3,305</div> <div style="text-align: center; font-size: 18pt; font-weight: bold;">(1193.00.00.CC)</div>		<small>All hydrotherapy equipment is rated for 120V, 20A (US) Consult Spec Sheet on website for Boxed Weight & Cube. .CC = Color Code / See page 155 for color options.</small> Operating Cap: 50 U.S. Gal.		STANDARD	PREMIER
		Includes:	All Standard features plus:		
W WHIRLPOOL <small>Includes 6 adjustable jets with pump unit indicated.</small>			\$6,445 <small>(1193.00.11.CC)</small>	\$7,665 <small>with Whirlpool heater (1193.00.15.CC)</small>	
a AIRMASSEUR[®] <small>Includes 48 strategically located air jets, 1hp blower w/ heater.</small>			\$6,545 <small>(1193.00.21.CC)</small>	\$7,765 <small>(1193.00.25.CC)</small>	
m MICROSILK[®] <small>Includes 1 MicroSilk delivery port, MicroSilk unit.</small>			\$6,305 <small>(1193.00.61.CC)</small>	\$7,525 <small>(1193.00.65.CC)</small>	
aw AIRMASSEUR[®] WHIRLPOOL <small>Includes 6 adjustable jets and 48 air jets; 1.5 hp pump; 1hp blower w/ heater. Combines all features provided with both W & a equipped Standard or Premier baths, respectively.</small>			\$8,385 <small>(1193.00.31.CC)</small>	\$9,605 <small>with Whirlpool heater (1193.00.35.CC)</small>	
mw MICROSILK[®] WHIRLPOOL <small>Includes 6 adjustable jets and 1 MicroSilk delivery port; MicroSilk unit; 1.5 hp pump. Combines all features provided with both W & m equipped Standard or Premier baths, respectively.</small>			\$9,440 <small>(1193.00.71.CC)</small>	\$10,660 <small>with Whirlpool heater (1193.00.75.CC)</small>	
ma MICROSILK[®] AIRMASSEUR[®] <small>Includes 1 MicroSilk delivery port, 48 strategically located air jets; MicroSilk unit; 1hp blower w/ heater. Combines all features provided with both a & m equipped Standard or Premier baths, respectively.</small>			\$9,545 <small>(1193.00.81.CC)</small>	\$10,765 <small>(1193.00.85.CC)</small>	

Designer
DROP-IN



Faucetry Deck
Flat Dimensions



Bath Options

For handle information, see page 127.
For details & additional options, see page 128-130.

GH400 HANDLE - Factory installed. <small>Accepts 1 handle across from overflow.</small>	8709-04-0CC	\$315
JETTED NECK PILLOW - Page 128 W MW	8707-50-0CC	\$1,145
BACKSTACK™ JETS - Page 128 W MW	8707-30-001	\$930
BLUETOOTH SOUND IMMERSION SYSTEM - Page 128	8724-01-000	\$835
WATER LEVEL SENSOR - Page 128	8724-02-000	\$1,030
THERMO COMFORT - Page 129	8706-04-XXX	\$840
MICROSILK SHOWER WAND - Page 129	Polished Chrome 8705-55-091	\$505
LINEAR OVERFLOW DRAIN KITS - For finish options, see Page 129.	Polished Chrome MLD-PC	Included
	Optional Finishes MLD-XX	ADD \$120
TILE FLANGE KIT - Page 129	8707-11-001	\$190

P Whirlpool Pump Location

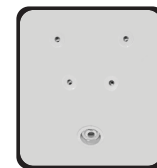
M MicroSilk® Unit Location

C Control Location

B Blower Location

TC Thermo Comfort Heating Pad Location

OP Optional pump location available on W only. Please designate pump location.



1 set of
Back-Stack™ jets
on W MW
(Optional)