

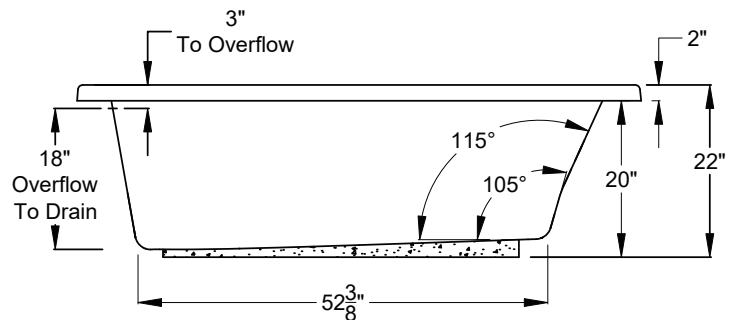
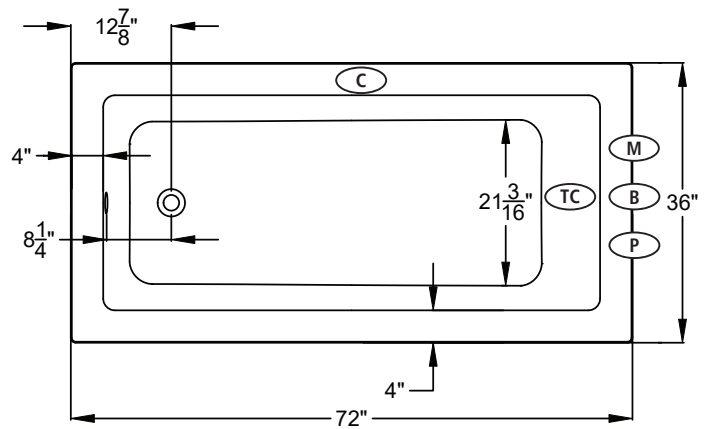
UNDERMOUNTABLE: Yes

FAUCETRY DECK: No

TEXTURED FLOOR: No

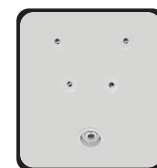
<div style="text-align: center;"> <span style="border: 1px solid black; border-radius: 50%; padding: 2px;">S</span>  <b>SOAKING</b>  <small>Includes Level-Form™ Base</small> </div> <div style="text-align: center; font-size: 24pt; font-weight: bold;">\$3,385</div> <div style="text-align: center; font-weight: bold;">(1160.00.00.CC)</div>		<small>All hydrotherapy equipment is rated for 120V, 20A (US) Consult Spec Sheet on website for Boxed Weight &amp; Cube. .CC = Color Code / See page 155 for color options.</small> <b>Operating Cap: 53 U.S. Gal.</b>		STANDARD	PREMIER
		Includes:	All Standard features plus:		
<span style="border: 1px solid black; border-radius: 50%; padding: 2px;">W</span> <b>WHIRLPOOL</b> Includes 5 adjustable jets with pump unit indicated.		\$6,525 (1160.00.11.CC)	\$7,745 with Whirlpool heater (1160.00.15.CC)		
<span style="border: 1px solid black; border-radius: 50%; padding: 2px;">a</span> <b>AIRMASSEUR<sup>®</sup></b> Includes 40 strategically located air jets, 1hp blower w/ heater.		\$6,625 (1160.00.21.CC)	\$7,845 (1160.00.25.CC)		
<span style="border: 1px solid black; border-radius: 50%; padding: 2px;">m</span> <b>MICROSILK<sup>®</sup></b> Includes 1 MicroSilk delivery port, MicroSilk unit.		\$6,385 (1160.00.61.CC)	\$7,605 (1160.00.65.CC)		
<span style="border: 1px solid black; border-radius: 50%; padding: 2px;">aw</span> <b>AIRMASSEUR<sup>®</sup> WHIRLPOOL</b> Includes 5 adjustable jets and 40 air jets; 1.5 hp pump; 1hp blower w/ heater. Combines all features provided with both <span style="border: 1px solid black; border-radius: 50%; padding: 2px;">W</span> & <span style="border: 1px solid black; border-radius: 50%; padding: 2px;">a</span> equipped Standard or Premier baths, respectively.		\$8,465 (1160.00.31.CC)	\$9,685 with Whirlpool heater (1160.00.35.CC)		
<span style="border: 1px solid black; border-radius: 50%; padding: 2px;">mw</span> <b>MICROSILK<sup>®</sup> WHIRLPOOL</b> Includes 5 adjustable jets and 1 MicroSilk delivery port; MicroSilk unit; 1.5 hp pump. Combines all features provided with both <span style="border: 1px solid black; border-radius: 50%; padding: 2px;">W</span> & <span style="border: 1px solid black; border-radius: 50%; padding: 2px;">m</span> equipped Standard or Premier baths, respectively.		\$9,520 (1160.00.71.CC)	\$10,740 with Whirlpool heater (1160.00.75.CC)		
<span style="border: 1px solid black; border-radius: 50%; padding: 2px;">ma</span> <b>MICROSILK<sup>®</sup> AIRMASSEUR<sup>®</sup></b> Includes 1 MicroSilk delivery port, 40 strategically located air jets; MicroSilk unit; 1hp blower w/ heater. Combines all features provided with both <span style="border: 1px solid black; border-radius: 50%; padding: 2px;">a</span> & <span style="border: 1px solid black; border-radius: 50%; padding: 2px;">m</span> equipped Standard or Premier baths, respectively.		\$9,625 (1160.00.81.CC)	\$10,845 (1160.00.85.CC)		

Control pad can be mounted on opposing side of vessel by request.



\*Blower must be remote mounted on MicroSilk®-AirMasseur® and Air-Whirlpool baths. See page 130 for remote blower mounting.

- P Whirlpool Pump Location
- M MicroSilk® Unit Location
- C Control Location
- B Blower Location
- TC Thermo Comfort Heating Pad Location



1 set of Back-Stack™ jets on W mw (Optional)

**NOTE:** mw equipment may extend beyond the perimeter of the bath. Consult factory for details.

### Bath Options

For handle information, see page 127.  
For details & additional options, see page 128-130.

<b>GH400 HANDLE</b> - Factory installed. <small>Accepts 2 handles. Price is per handle. If ordering 1 handle, indicate handle installation.</small>	8709-04-0CC	\$315
<b>JETTED NECK PILLOW</b> - Page 128 <span style="border: 1px solid black; border-radius: 50%; padding: 2px;">W</span> <span style="border: 1px solid black; border-radius: 50%; padding: 2px;">mw</span>	8707-50-0CC	\$1,145
<b>BACKSTACK™ JETS</b> - Page 128 <span style="border: 1px solid black; border-radius: 50%; padding: 2px;">W</span> <span style="border: 1px solid black; border-radius: 50%; padding: 2px;">mw</span>	8707-30-001	\$930
<b>BLUETOOTH SOUND IMMERSION SYSTEM</b> - Page 128	8724-01-000	\$835
<b>WATER LEVEL SENSOR</b> - Page 128	8724-02-000	\$1,030
<b>THERMO COMFORT</b> - Page 129 <span style="border: 1px solid black; border-radius: 50%; padding: 2px;">S</span> <span style="border: 1px solid black; border-radius: 50%; padding: 2px;">W</span> <span style="border: 1px solid black; border-radius: 50%; padding: 2px;">m</span> <span style="border: 1px solid black; border-radius: 50%; padding: 2px;">mw</span>	8706-04-XXX	\$840
<b>MICROSILK SHOWER WAND</b> - Page 129	Polished Chrome 8705-55-091	\$505
<b>LINEAR OVERFLOW DRAIN KITS</b> - For finish options, see Page 129.	Polished Chrome MLD-PC	Included
	Optional Finishes MLD-XX	ADD \$120
<b>TILE FLANGE KIT</b> - Page 129	8707-11-001	\$190