

"TO BE REMOVED FOR USE BY THE OCCUPANT."

Jason International, Inc.
8328 MacArthur Drive
North Little Rock, AR 72118
www.jasoninternational.com
MADE IN THE U.S.A.



JASON
HYDROTHERAPY®

49-2016-009
Date 11/14

INSTALLATION INSTRUCTIONS

GH100 OR GH200 GRIP HANDLE KITS FOR DESIGNER BATHS

Included with each GH100 or GH200 Grip Handle Kit: One GH100 or GH200 Grip Handle - (of selected finish)
Drilling Templates - (select template according to bath model)
Two Brass "Tee Nuts"
Two 5/16" x 1" stainless steel cap screws
Two 5/16" stainless steel washers

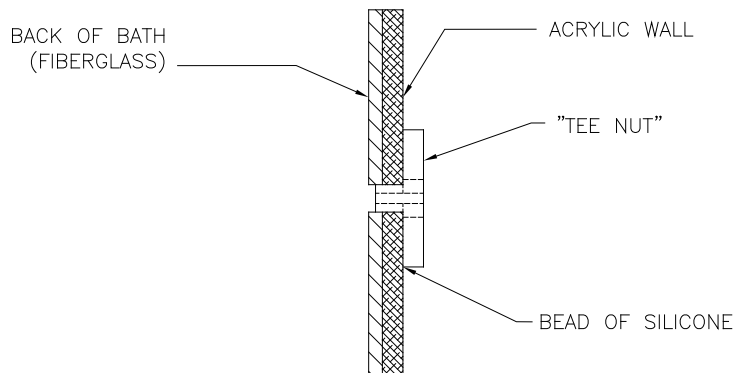
NOTE: GH100 AND GH200 GRIP HANDLES MUST BE INSTALLED BEFORE BATH INSTALLATION

NOTE: The CS600 (Casarsa), DE4646 (Delizia), and VE5535 require a specially milled handle to fit the contours of the bath.

INSTRUCTIONS:

1. Select proper drilling template according to Bath Model. (If you do not know what Model Bath you have, locate the serial number card affixed to back wall of Bath above the pump, and identify by Model name.)
2. Place paper template provided at proper location on the Bath sidewall, aligning template according to top of Bath deck. Tape in place.
3. Drill two initial 1/8" pilot holes at locations shown on the template.¹ Using the drilled pilot hole as a guide, finish drilling the holes with 1/2" diameter drill bit.¹
4. Apply a bead of silicone liberally around the brass "Tee Nuts" provided. Then press the "Tee Nuts" through the 1/2" holes from the BACKSIDE of the Bath.
5. Install the GH100 or GH200 Handles using the 5/16" x 1" stainless steel cap screws and washers provided. Secure the cap screws with a 1/2" open-end wrench.

¹Before drilling be sure to set the depth of each drill bit to be used at 1". (Masking tape may be used.) This will prevent the drill chuck from damaging the Bath surface.



NOTE:

As dimensions of the following templates may change during the printing process verify actual dimensions before drilling. Select "print actual size" on printer settings. Jason will not be responsible for dimensional errors.

JASON INTERNATIONAL, INC.

8328 MacArthur Drive • North Little Rock, AR 72118 • www.jasoninternational.com
501-771-4477 • Fax: 501-771-2333 • Cust. Svc.: 800-255-5766

Left Side Of Bath Facing Drain



(Center Line of Bath)

Top Of Bath Deck

Top Of Bath Deck

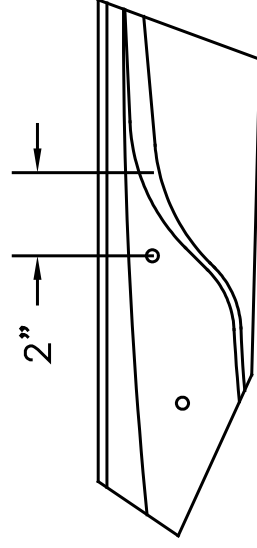
1/2" Diameter Drill Thru - 2 Places

1/8" Diameter Drill Pilot Hole 2 Places

6 13/16"

B 3 1/2"
C 4"
A 2 3/4"

B 2 1/4"
A 1 1/2"
C 2 3/4"



Not To Scale

NOTE: As dimensions of this template may change during the printing process, verify actual dimensions before drilling. Jason will not be responsible for dimensional errors.

Select "print actual size" on printer settings. Jason will not be responsible for dimensional errors.

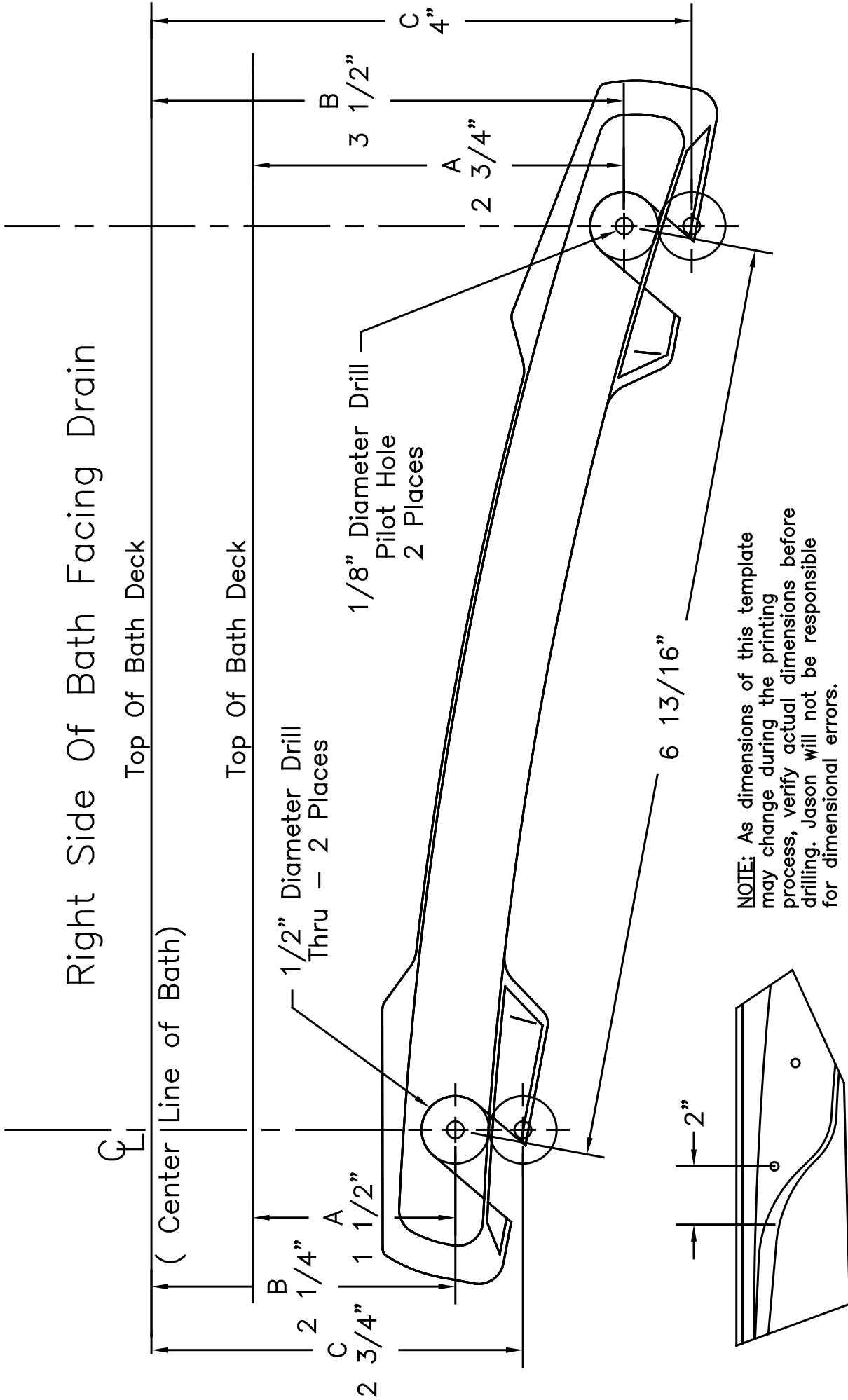
A Dimension
EC527

B Dimension
EM525
EM630

C Dimension
EM527 SL/SR
EM530
EM535
EM553
EM635

IMPORTANT: Before Drilling!
Be Sure To Check Backside Of Tub Shell For Adequate Clearance For Holes And Mounting Hardware

Right Side Of Bath Facing Drain



NOTE: As dimensions of this template may change during the printing process, verify actual dimensions before drilling. Jason will not be responsible for dimensional errors.

Not To Scale

Select "print actual size" on printer settings. Jason will not be responsible for dimensional errors.

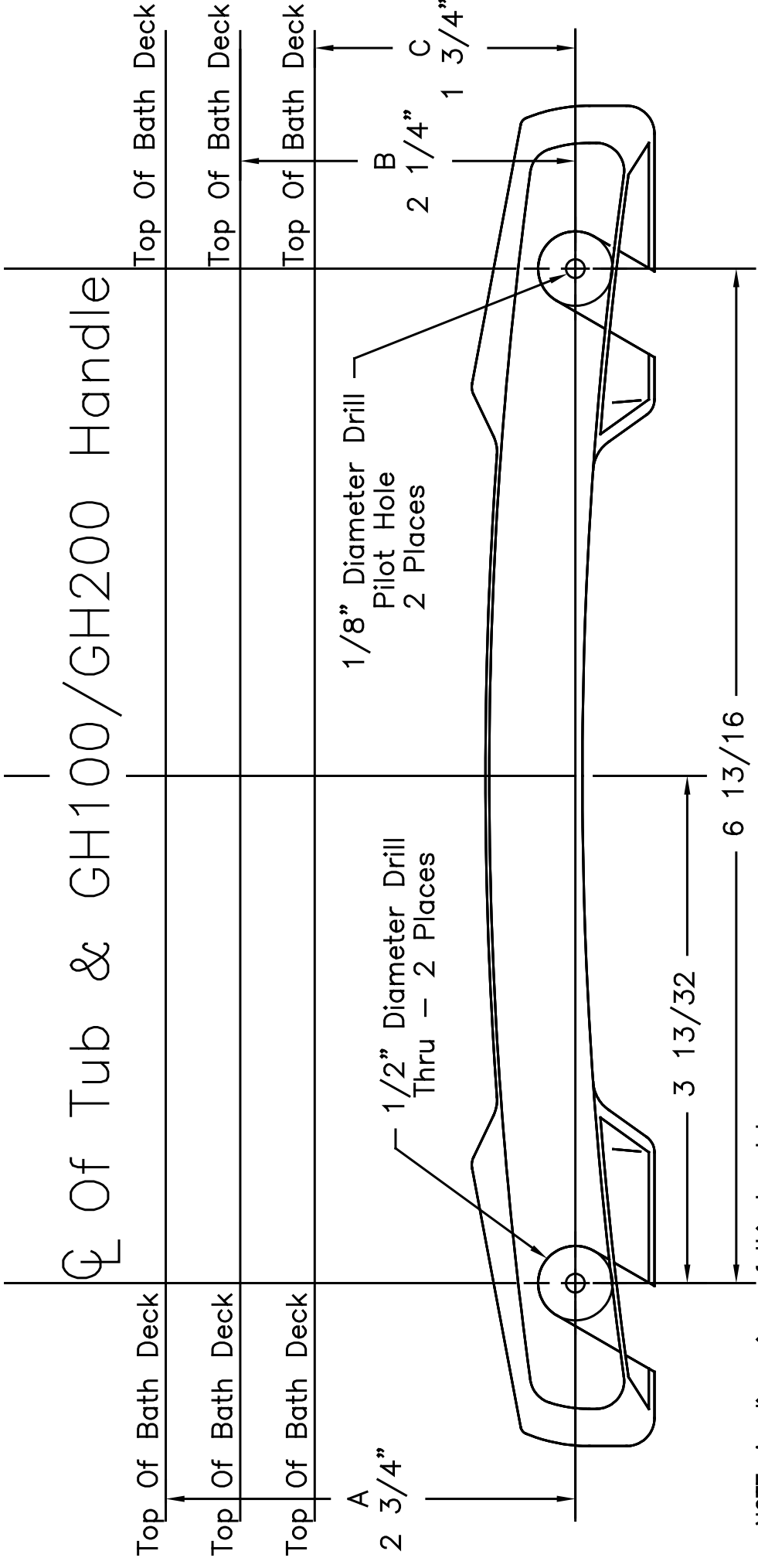
A Dimension
EC527

C Dimension
EM527 SL/SR

B Dimension
EM525
EM630

EM530
EM535
EM553
EM635

IMPORTANT: Before Drilling!
Be Sure To Check Backside Of Tub Shell For Adequate Clearance For Holes And Mounting Hardware



Ø Of Tub & GH100/GH200 Handle

NOTE: As dimensions of this template may change during the printing process, verify actual dimensions before drilling. Jason will not be responsible for dimensional errors.

A Dimension

- BY630
- BY635
- CC550
- CS600
- DE4646
- MI635
- MI640
- MK500

B Dimension

- MA553
- MA635/MA635P
- MA640
- VL635
- VL5535

C Dimension

- EL530
- EL535
- EL635
- VE5535

GH100 Handle Outline Shown

IMPORTANT: Before Drilling!
 Be Sure To Check Backside Of Tub Shell For Adequate Clearance For Holes And Mounting Hardware