

“TO BE REMOVED FOR USE BY THE OCCUPANT.”

Jason International, Inc.
8328 MacArthur Drive
North Little Rock, AR 72118
www.jasoninternational.com
MADE IN THE U.S.A.



49-2024-004
Date 11/14

OWNER'S MANUAL

Jason JT1000 Heater FOR INTEGRITY® WHIRLPOOL BATHS

INTRODUCTION

Jason's JT1000, 1000 watt bath heaters are offered as a factory installed option on all Integrity® Collection Whirlpool Baths. Carefully follow the installation and operation instructions provided in the whirlpool baths Owner's Manual and these instructions.

Whirlpool bath heaters are designed to maintain the bath at the desired, manually filled, water bathing temperature. An internal heater thermostat is preset at, and limits the temperature at 104° F.

ELECTRICAL

The heater is rated at 120V, 1.0 KW. USE COPPER CONDUCTORS ONLY. INSURE THE HEATER AND PUMP ARE PROPERLY GROUNDED.

Figure 1 reflects the use of one, dedicated, 120V, 20A circuit from the main service panel. The circuit MUST BE GFCI PROTECTED. Heater may be installed on the same 120V, 20 amp circuit as the pump with a maximum combined amperage of 16 amps.

Figure 2 represents the factory installed location of the heater.

NOTE: ALL ELECTRICAL BOXES AND CONNECTIONS MUST BE AT LEAST 1-1/2" ABOVE FLOOR

DANGER - RISK OF ELECTRIC SHOCK: Connect only to a circuit protected by a Ground Fault Circuit Interrupter (GFCI). In the unlikely occurrence of a current imbalance in the power conductors, the GFCI will interrupt power to the unit.

WARNING: The power to the GFCI must not be interrupted by any control device. The GFCI must be installed either at the service panel or between the service panel and the control device.

ALL LOCAL AND STATE ELECTRICAL CODES MUST BE OBSERVED: Where there are no local codes, the National Electric Code shall govern. The Installer/Owner bears all responsibility to comply with all state and local codes when installing.

OPERATING INSTRUCTIONS

Once the whirlpool heater is installed, operation is totally automatic. The heater will maintain the temperature of the water in the bathtub, or increase the temperature at about two to four degrees an hour. The heater includes the following components which may need adjustment or resetting:

Hi-Limit

The whirlpool heater includes an "Intelligent Hi-Limit." This safety circuit will not "false trip" from hot tap water. It will only turn the heater off if the thermostat fails. If the Hi-Limit trips frequently, call a service technician.

Indicator Light

This light turns on when the heater is operating.

Safety Features

In addition to the preset thermostat and Hi-limit, the heater is equipped with a built-in pressure switch. This switch will not allow the heater to turn on unless the pump is running and has water pressure in the heater.

Figure 1

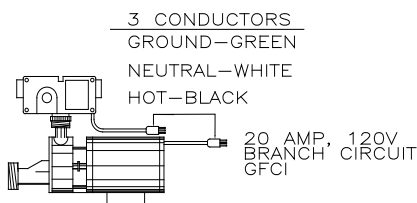
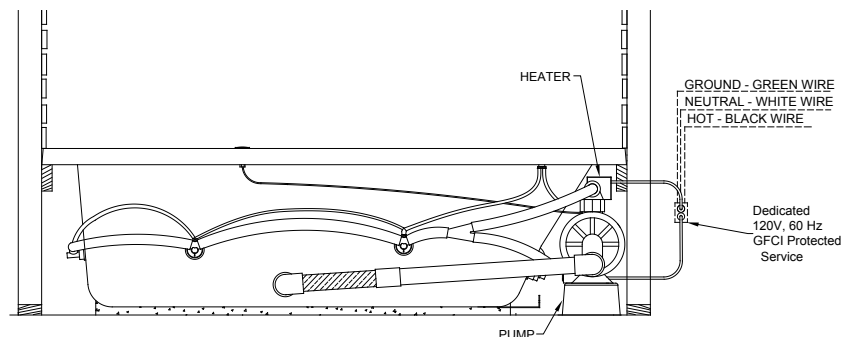


Figure 2



IMPORTANT SAFETY INSTRUCTIONS

HEATER: The JT1000 heater is designed to produce 1.0 kw at 120v. A safety Hi-Limit thermostat switch is built into the heater assembly. It will disengage the heater if the thermostat fails.

WARNING: When using this unit, these basic precautions should be followed in addition to those required for whirlpool baths supplied without a heater.

READ AND FOLLOW ALL INSTRUCTIONS CAREFULLY

DANGER: TO REDUCE THE RISK OF INJURY, when servicing or regulating the thermostat, follow these precautions:

- A. Disconnect power at the circuit breaker for the pump and heater circuit(s).
- B. Using the access to the heater and whirlpool pump equipment area, locate the heater mounted above the pump.
CAUTION: The maximum water temperature should never exceed 104°F (40°C).
- C. Reconnect power at the circuit breaker and refer to whirlpool bath Owner's Manual. Whenever the pump is operating (i.e., water is flowing) the heater will automatically regulate the water temperature.

WARNING: It is recommended that the GFCI be tested on a regular basis (at least monthly). To test the GFCI push the test button. The GFCI should interrupt power. Push the reset button and the power should be restored. If the GFCI fails to operate in this manner, there is a possibility of electric shock. **DO NOT USE.** Disconnect the unit and have the problem corrected by a qualified service technician or a licensed electrician.

SAVE THESE INSTRUCTIONS

JASON INTERNATIONAL, INC.

8328 MacArthur Drive • North Little Rock • Arkansas • 72118

www.jasoninternational.com