

---

# Designer Standard Edition Whirlpool Touch Control Keypad



---

Jason provides an touch control keypad to operate its Standard Edition Designer Whirlpool baths. This keypad system provides a safe and convenient method for controlling your whirlpool bath while bathing.

The whirlpool pump's On / Off switch is operated by simply touching the keypad's Jet/Timer key. An indicator light on the keypad will illuminate when the pump is On.

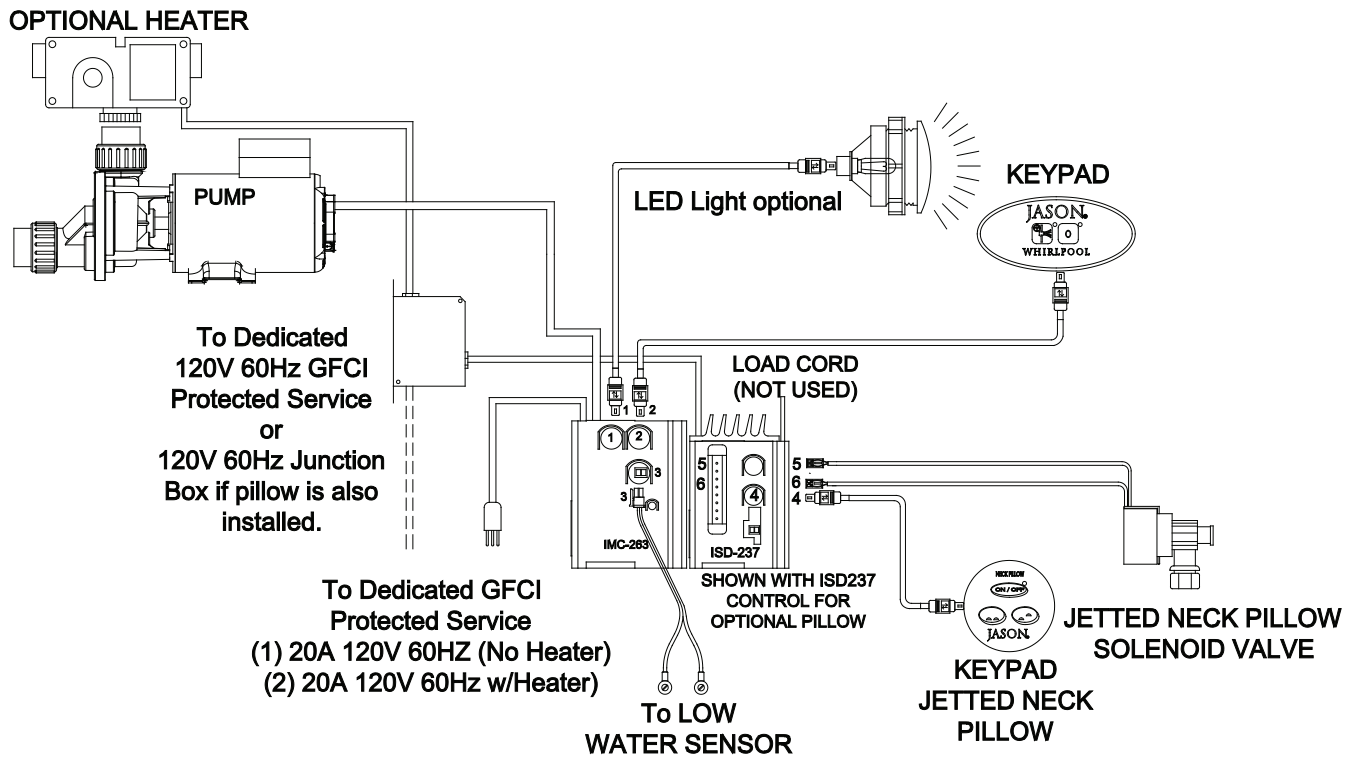
The Option key will control the optional LED light.

As a matter of convenience and safety, the keypad incorporates a 20-minute interval timer. The timer feature automatically shuts off the whirlpool system when the time expires. At any time during operation, the bath can also be turned off by once again touching the Jet/Timer key on the keypad.

The touch control keypad system also features a low water level sensing circuit which prevents the pump from operating with insufficient water or without water. An indicator light above the Jet/Timer key will flash when this occurs.

Each whirlpool bath and electronic control touchpad system is completely factory assembled and tested.

## SINGLE-SPEED



## STANDARD WHIRLPOOL 120V / 60Hz

### STANDARD FEATURES

- The Jason touch control keypad placed on the bath deck contains the Jet/Timer icon used by the bather to control the Whirlpool system's On / Off function and the optional LED light.
- The water level sensor prevents the pump from operating without the proper amount of water, assuring reliability and protection of your whirlpool equipment.
- Press the Jet/Timer icon to start and stop the whirlpool pump.
- A 20-minute timer limits the operating time of the whirlpool system.
- The control system is completely factory assembled and tested on each Whirlpool bath.
- An LED indicator light is located on the control touchpad above the Jet/Timer icon. It will illuminate when the pump is On and will flash when the bath does not have the proper amount of water.

### SPECIFICATIONS

Single-speed Touch: 1 1/2 Hp, 120 V, 60 Hz. Inductive motor load.

Electrical Service: A dedicated service protected by a ground fault interrupter is required. 120 V, 60 Hz, 20A.