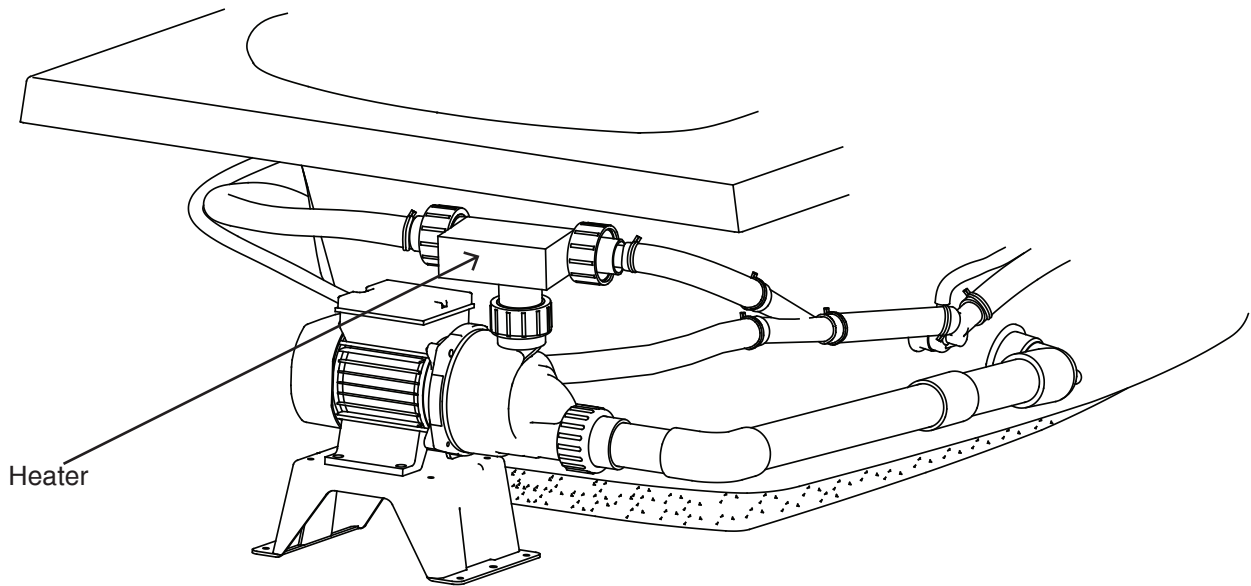
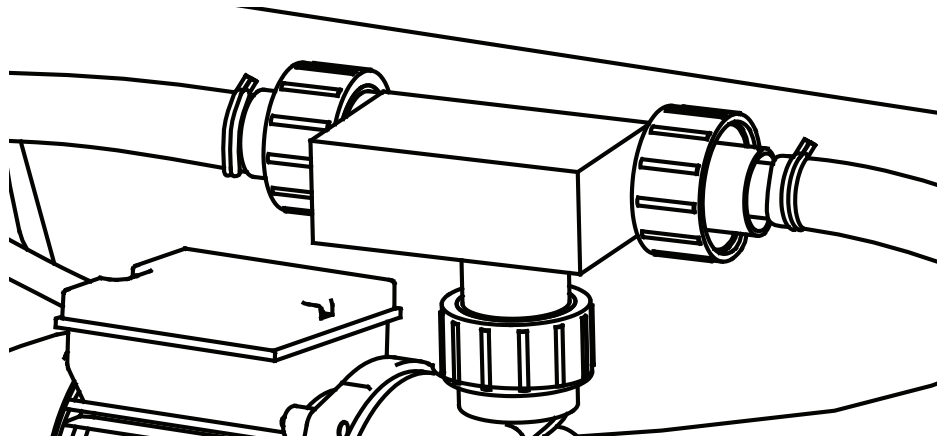

Integrity™ Whirlpool JT1000 Bath Heater



Jason's JT1000 1000 watt bath heater for Integrity™ Whirlpools automatically maintains water temperature while the whirlpool is in operation.

Offered as a factory installed option on all Integrity™ Collection Whirlpools. Both the JT1000 heater and the Integrity™ 1HP pump can use the same 20 amp ground fault protected service.



INSTALLATION

The heater is factory installed on the discharge side of the whirlpool bath pump and factory tested with the whirlpool bath unit. The standard whirlpool bath access opening specified for the bath model is of sufficient size to access the heater for servicing.

The heater is factory equipped with a three-foot power cord or junction box to facilitate electrical supply connection.

SPECIFICATIONS

Material: Stainless steel with a self extinguishing high temperature ABS plastic control box.

Electrical Service: The pump and heater can be used on the same 20 amp, 120v ground fault protected service.

This device is a UL recognized component.

STANDARD FEATURES

- 1000 watts at 120v
- Double Dry fire protection.
- Exclusive Smart hi-limit switch is set at 122° F. Will not false trip if the whirlpool is filled with hotter tap water.
- Built in safety pressure switch.
- Factory pre-set built-in thermostat.
- Low watt density Incoloy heater element.
- Threaded unions on all plumbing connections are provided for easy service.