

Standard/Premier Edition Whirlpool Controls



One main control touchpad mounted on the bath features several icons used by the bather to control the bath. This sheet will outline the functions of the system when a particular icon is pressed. If the icon is lit WHITE, then that particular option is available to operate. If the icon is lit BLUE, that particular option is currently in operation.

Unless otherwise indicated an ON/OFF function will take place with a single press on the button icon. Some functions may require the use of a long press. A built-in timer shuts off the therapy equipment twenty (20) minutes after being activated.

Standby Mode

In Standby Mode, no icons will be lit so only the JASON logo and non-lit Power icon can be seen. If the keypad is ON but there has been no activity for one (1) hour, the keypad will revert to Standby Mode.

POWER Icon



The POWER icon will activate the keypad. Once pressed, all available option icons will light WHITE and the POWER icon will light BLUE. Press and hold for two (2) seconds to turn off all equipment and return to Standby Mode.

LED Icon (Premier Edition)



The LED icon will operate the Chromotherapy Mood Lighting system. The LED system will operate for 2 hours before turning OFF. Once pressed, the LED lights will begin a SLOW FADE mode between all the colors. A single press of the icon will progress the light to the next mode or color. Press and hold the icon to cycle through the FADE mode, release the icon to choose any custom color. Order of Colors: Slow Fade Mode, Color Step (changes each second), Purple, Green, Red, Blue, Yellow, White, Off

WHIRLPOOL Icon



The WHIRLPOOL icon is used to activate the whirlpool pump and the 20-minute timer. Once pressed, the whirlpool pump will start.

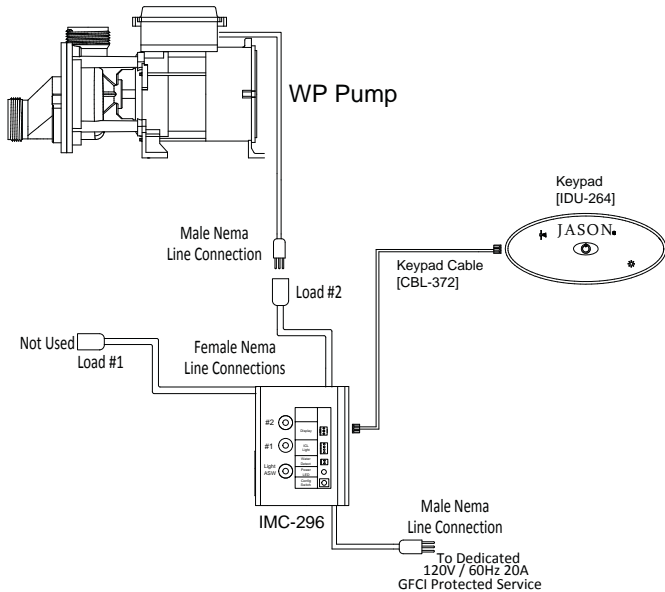
PILLOW Icon (optional)



The PILLOW icon is used to activate the neck jets when the Jetted Neck Pillow option is ordered. This icon will appear once the Whirlpool pump has been activated. CONSTANT flow from the neck jets will start with the first press. Additional presses will change to the PULSE and ALTERNATING Modes. Once the system returns to Standby mode, the icon will flash GREEN to indicate a purge count-down.

WHIRLPOOL [WP] SYSTEM

Standard Edition

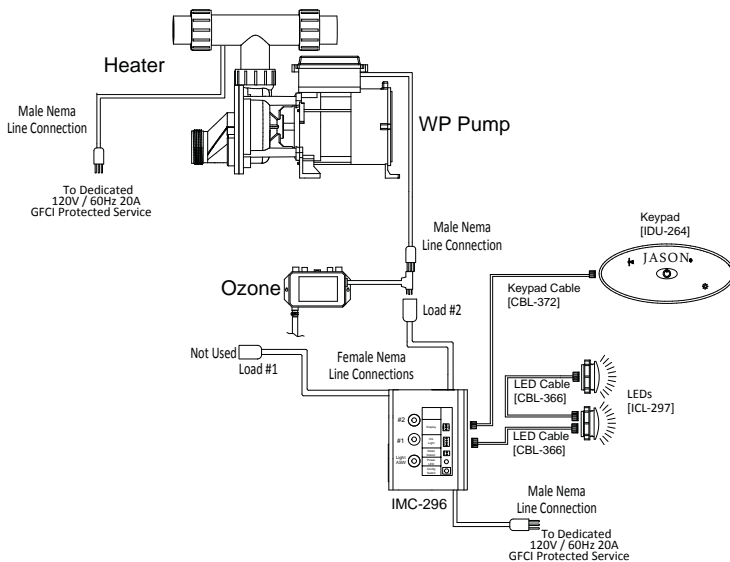


SPECIFICATIONS/FEATURES

- 120V 60Hz 20A
- 1-1/2 HP 1-Speed Whirlpool Pump*
- Touch Control
- 20-Minute Timer

*2HP Whirlpool Pump on Model LS640

Premier Edition



SPECIFICATIONS/FEATURES

- 120V 60Hz 20A
- 1-1/2 HP 1-Speed Whirlpool Pump*
- Touch Control
- 20-Minute Timer
- Ozone Sanitation System
- (2) LED Mood Lights
- Whirlpool Bath Heater

*2HP Whirlpool Pump on Model LS640 will require an additional 15A GFCI Circuit



Additional Options Available



Jetted Neck Pillow



Thermo Comfort Surface Heater



Bluetooth Sound Immersion Speaker System

Notes:

A Single Dedicated 120v/60Hz 20A GFCI Protected Service is required for all bath equipment.

Additional options may require multiple outlets be installed on the single service.

JASON INTERNATIONAL, INC.

8328 MacArthur Drive • North Little Rock, AR 72118 • www.jasoninternational.com

501.771.4477 • Fax: 501.771.2333 • Cust Service: 800.255.5766