

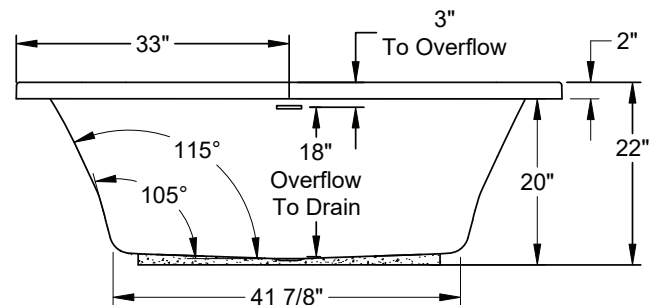
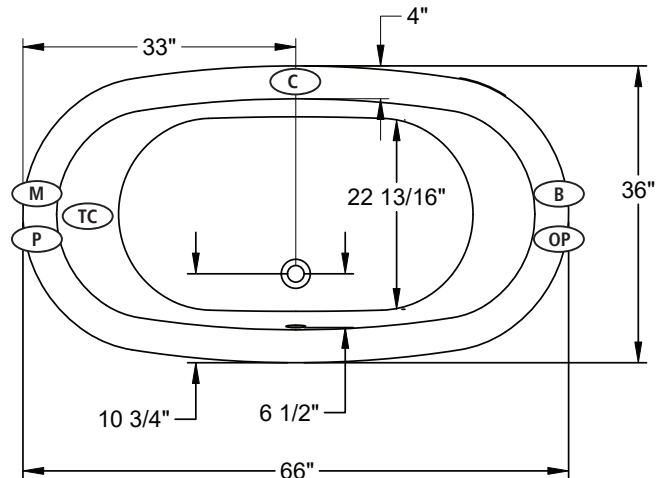
UNDERMOUNTABLE: Yes

FAUCETRY DECK: No

TEXTURED FLOOR: No

<div style="text-align: center;"> S SOAKING <small>Includes Level-Form™ Base</small> </div> <div style="text-align: center; font-size: 24pt; font-weight: bold;">\$3,305</div> <div style="text-align: center; font-size: 18pt; font-weight: bold;">(1186.00.00.CC)</div>		<small>All hydrotherapy equipment is rated for 120V, 20A (US) Consult Spec Sheet on website for Boxed Weight & Cube. .CC = Color Code / See page 155 for color options.</small> Operating Cap: 39 U.S. Gal.		STANDARD <small>Includes:</small> <ul style="list-style-type: none"> • Linear Overflow Drain • Touch Control Pad • 20-minute timer 	PREMIER <small>All Standard features plus:</small> <ul style="list-style-type: none"> • Ozone • Digital Control Pad • LED Chromatherapy
		W WHIRLPOOL	Includes 6 adjustable jets with pump unit indicated.	\$6,445	\$7,665
a AIRMASSEUR[®]	Includes 40 strategically located air jets, 1hp blower w/ heater.	\$6,545	\$7,765		
m MICROSILK[®]	Includes 1 MicroSilk delivery port, MicroSilk unit.	\$6,305	\$7,525		
aw AIRMASSEUR[®] WHIRLPOOL	Includes 6 adjustable jets and 40 air jets; 1.5 hp pump; 1hp blower w/ heater. Combines all features provided with both W & a equipped Standard or Premier baths, respectively.	\$8,385	\$9,605		
mw MICROSILK[®] WHIRLPOOL	Includes 6 adjustable jets and 1 MicroSilk delivery port; MicroSilk unit; 1.5 hp pump. Combines all features provided with both W & m equipped Standard or Premier baths, respectively.	\$9,440	\$10,660		
ma MICROSILK[®] AIRMASSEUR[®]	Includes 1 MicroSilk delivery port, 40 strategically located air jets; MicroSilk unit; 1hp blower w/ heater. Combines all features provided with both a & m equipped Standard or Premier baths, respectively.	\$9,545	\$10,765		

Designer
DROP-IN



Bath Options		For handle information, see page 127. For details & additional options, see page 128-130.	
GH400 HANDLE - Factory installed. Accepts 1 handle across from overflow.	8709-04-0CC	\$315	
JETTED NECK PILLOW - Page 128 W mw	8707-50-0CC	\$1,145	
BACKSTACK™ JETS - Page 128 W mw	8707-30-001	\$930	
BLUETOOTH SOUND IMMERSION SYSTEM - Page 128	8724-01-000	\$835	
WATER LEVEL SENSOR - Page 128	8724-02-000	\$1,030	
THERMO COMFORT - Page 129	8706-04-XXX	\$840	
MICROSILK SHOWER WAND - Page 129	Polished Chrome 8705-55-091	\$505	
LINEAR OVERFLOW DRAIN KITS - For finish options, see Page 129.	Polished Chrome MLD-PC	Included	
	Optional Finishes MLD-XX	ADD \$120	

- C Control Location
 - M MicroSilk[®] Unit Location
 - P Whirlpool Pump Location
 - B Blower Location
 - TC Thermo Comfort Heating Pad Location
 - OP Optional pump location available on W only. Please designate pump location. On mw the pump will be in this location.
- 1 set of
Back-Stack™ jets
on W mw
(Optional)