

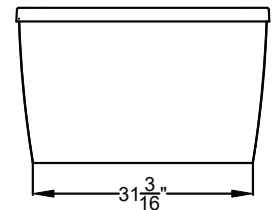
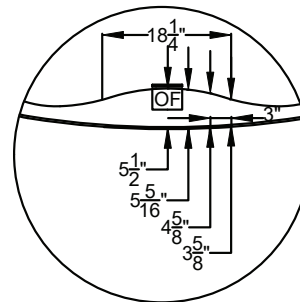
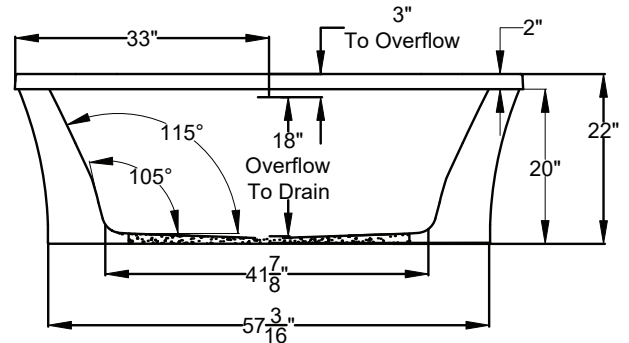
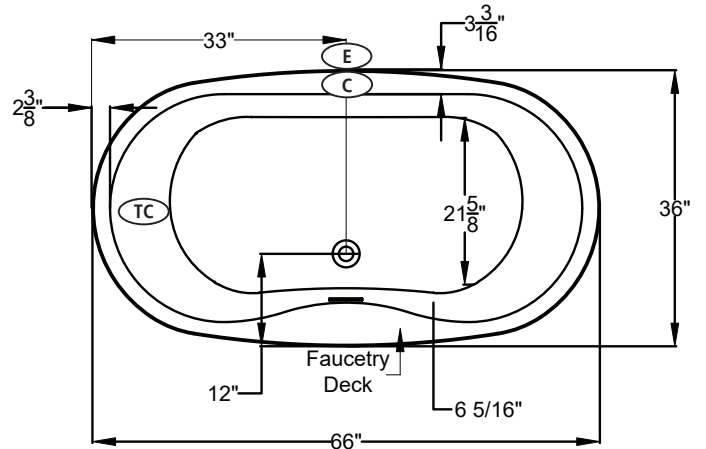
UNDERMOUNTABLE: No

FAUCETRY DECK: Yes

TEXTURED FLOOR: No

<p><b>(S)</b> <b>SOAKING</b> Includes Level-Form™ Base</p>	<p><b>\$5,555</b> (1192.07.00.CC)</p>	<p>All hydrotherapy equipment is rated for 120V, 20A (US) Consult Spec Sheet on website for Boxed Weight &amp; Cube. .CC = Color Code / See page 155 for color options. <b>Operating Cap: 41 U.S. Gal.</b></p>	<p><b>STANDARD</b></p> <p>Includes: • Linear Overflow Drain • Touch Control Pad • 20-minute timer</p>	<p><b>PREMIER</b></p> <p>All Standard features plus: • Ozone • Digital Control Pad • LED Chromatherapy</p>
			<p><b>\$8,795</b> (1192.07.21.CC)</p>	<p><b>\$10,015</b> (1192.07.25.CC)</p>
<p><b>(a)</b> <b>AIRMASSEUR<sup>®</sup></b></p>	<p>Includes 52 strategically located air jets, 1hp blower w/ heater.</p>		<p><b>\$9,255</b> (1192.07.61.CC)</p>	<p><b>\$10,475</b> (1192.07.65.CC)</p>
<p><b>(m)</b> <b>MICROSILK<sup>®</sup></b></p>	<p>Includes 1 MicroSilk delivery port, MicroSilk unit.</p>			

Designer  
 FREESTANDING



Faucetry Deck  
Flat Dimensions

- (C)** Control Location
- (E)** Equipment Cabinet
- (TC)** Thermo Comfort Heating Pad Location



The Acrylic Equipment Cabinet is required on MicroSilk<sup>®</sup> baths and is available as an option on Airmasseur<sup>®</sup> baths.

Bath Options		For handle information, see page 127. For details & additional options, see page 128-130.	
<b>GH400 HANDLE</b> - Factory installed. Accepts 1 handle across from overflow.	8709-04-0CC	\$315	
<b>ACRYLIC EQUIPMENT CABINET</b> - Page 129 (a)	8701-10-0CC	\$1,025	
<b>BLUETOOTH SOUND IMMERSION SYSTEM</b> - Page 128	8724-01-000	\$835	
<b>WATER LEVEL SENSOR</b> - Page 128	8724-02-000	\$1,030	
<b>THERMO COMFORT</b> - Page 129 (S) (a) (m)	8706-04-XXX	\$840	
<b>MICROSILK SHOWER WAND</b> - Page 129	Polished Chrome 8705-55-091	\$505	
<b>LINEAR OVERFLOW DRAIN KITS</b> - For finish options, see Page 129.	Polished Chrome MLD-PC	Included	
	Optional Finishes MLD-XX	ADD \$120	