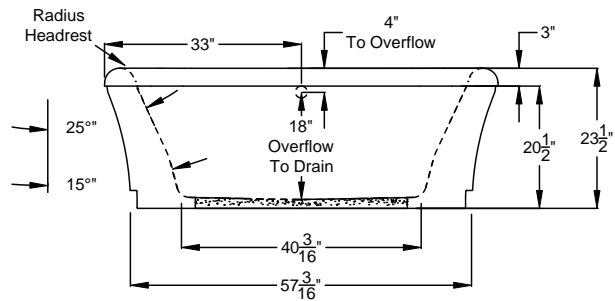
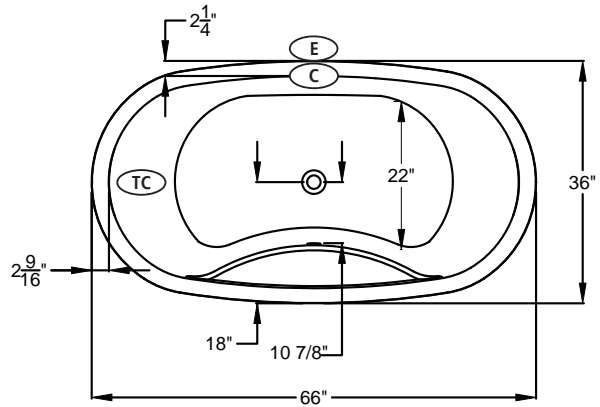


**NEWLY REDESIGNED!**



\*Shown with optional Ring Base.

- (C)** Control Location
- (E)** Equipment Cabinet
- (TC)** Thermo Comfort Heating Pad Location



Bath Prefix - 2206.08			
	STANDARD	PREMIER	SIGNATURE
	<ul style="list-style-type: none"> <li>120V</li> <li>Touch Control</li> <li>20-minute timer</li> </ul>	<ul style="list-style-type: none"> <li>120V</li> <li>Digital Control</li> <li>20-minute timer</li> <li>Ozone</li> <li>LED Light</li> </ul>	<ul style="list-style-type: none"> <li>120V</li> <li>Digital Control</li> <li>20-minute timer</li> <li>Ozone</li> <li>LED Light</li> <li>Bluetooth Sound Immersion</li> <li>Water Level Sensor</li> </ul>
<b>(m)</b> MICROSILK <sup>®</sup>	<b>\$8,845</b> (2206.08.61.CC)	<b>\$9,580</b> (2206.08.65.CC)	<b>\$11,115</b> (2206.08.63.CC)
<b>(a)</b> AIRMASSEUR <sup>®</sup>	<b>\$8,360</b> (2206.08.21.CC)	<b>\$9,445</b> (2206.08.25.CC)	<b>\$10,785</b> (2206.08.23.CC)
<b>(S)</b> SOAKING	<b>\$4,865</b> (2206.08.00.CC)		

### Please specify when ordering

- Standard Color:** CC= White-WT (01), Bisquite-BQ (40).
- CUSTOM COLOR** for color chart & codes, see pg. 133

### Bath Options

For handle information, see page 127.  
For additional options and details, see page 128-130.

<b>GH20 HANDLE</b>	Factory installed. Accepts 1 handle across from overflow.		\$240
<b>ACRYLIC EQUIPMENT CABINET</b>	- Page 129 <b>(a)</b>		\$1,225
<b>PEDESTAL SKIRT RING BASE</b>	<b>(S) (a)</b>		\$1,395
<b>BLUETOOTH SOUND IMMERSION SYSTEM</b>	- Page 128		\$835
<b>THERMO COMFORT</b>	- Page 129		\$840
<b>MICROSILK SHOWER WAND</b>	- Page 129 <b>(m)</b>	Polished Chrome	8705-51-091 \$505
<b>DESIGNER OVERFLOW DRAIN KITS</b>	For finish options, see page 129.	Polished Chrome	8705-15-091 \$160
		Optional Finishes	8705-15-0XX \$275
<b>TILE FLANGE KIT</b>	- Page 129		N/A

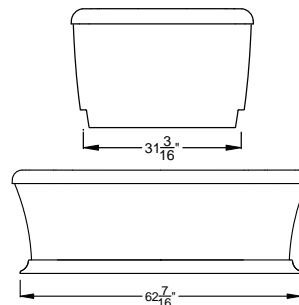
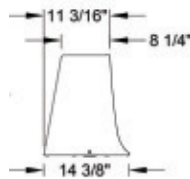
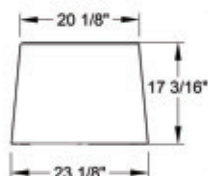
### Feature Information

- (m)** Includes 1 MicroSilk delivery port, MicroSilk unit in acrylic equipment cabinet
- (a)** Includes 35 strategically located air jets, 1hp blower w/ heater. Blower must be remote mounted if Acrylic Equipment Cabinet not selected.

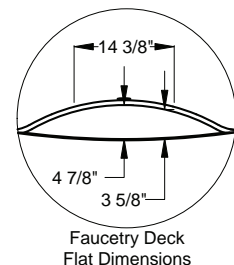
Consult Spec Sheet on website for Boxed Weight & Cube. Operating Cap: 41 U.S. Gal. 120V, 20A (US)



Acrylic Equipment Cabinet is required on MicroSilk<sup>®</sup> baths and is available as an option on Airmassieur<sup>®</sup> baths.



Shown with optional Ring Base



Faucetry Deck Flat Dimensions