

UNDERMOUNTABLE: No

FAUCETRY DECK: Yes

TEXTURED FLOOR: No

(S)

SOAKING

Includes Level-Form™ Base

\$5,350
(2206.07.00.CC)

All hydrotherapy equipment is rated for 120V, 20A (US)
Consult Spec Sheet on website for Boxed Weight & Cube.
.CC = Color Code / See page 155 for color options.

Operating Cap: 41 U.S. Gal.

STANDARD

- Includes:
- 120V Systems
 - Touch Control Pad
 - 20-minute timer

PREMIER

- All Standard features plus:
- Ozone
 - Digital Control Pad
 - LED Chromotherapy

(a)
AIRMASSEUR[®]

Includes 35 strategically located air jets, 1hp blower w/ heater.

\$8,590
(2206.07.21.CC)

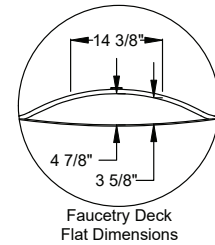
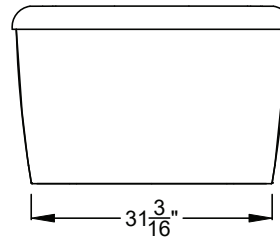
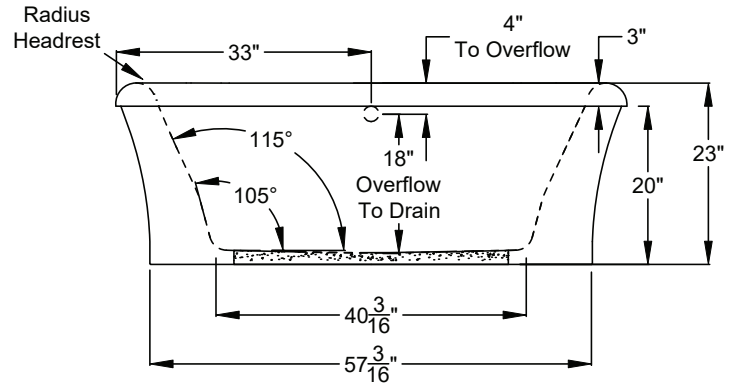
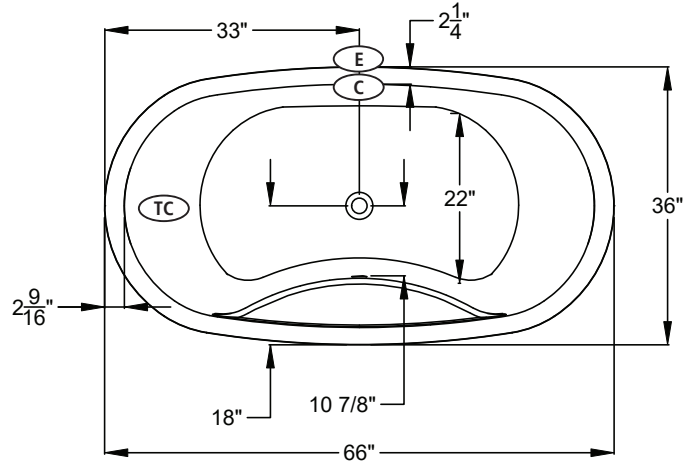
\$9,810
(2206.07.25.CC)

(m)
MICROSILK[®]

Includes 1 MicroSilk delivery port, MicroSilk unit.

\$9,050
(2206.07.61.CC)

\$10,270
(2206.07.65.CC)



Bath Options

For handle information, see page 127.
For details & additional options, see page 128-130.

GH20 HANDLE - Factory installed. Accepts 1 handle across from overflow.	8709-24-0CC	\$240
ACRYLIC EQUIPMENT CABINET - Page 129 (a)	8701-10-0CC	\$1,025
BLUETOOTH SOUND IMMERSION SYSTEM - Page 128	8724-01-000	\$835
WATER LEVEL SENSOR - Page 128	8724-02-000	\$1,030
THERMO COMFORT - Page 129 (S) (a) (m)	8706-04-XXX	\$840
MICROSILK SHOWER WAND - Page 129	Polished Chrome 8705-55-091	\$505
DESIGNER OVERFLOW DRAIN KITS - For finish options, see Page 129.	Polished Chrome DDK-PC	\$160
	Optional Finishes DDK-XX	\$275

- (C) Control Location
- (E) Equipment Cabinet
- (TC) Thermo Comfort Heating Pad Location

The Acrylic Equipment Cabinet is required on MicroSilk[®] baths and is available as an option on Airmasseur[®] baths.

