

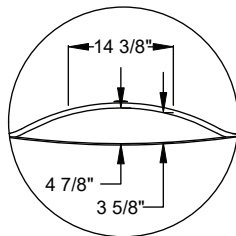
UNDERMOUNTABLE: No

FAUCETRY DECK: Yes

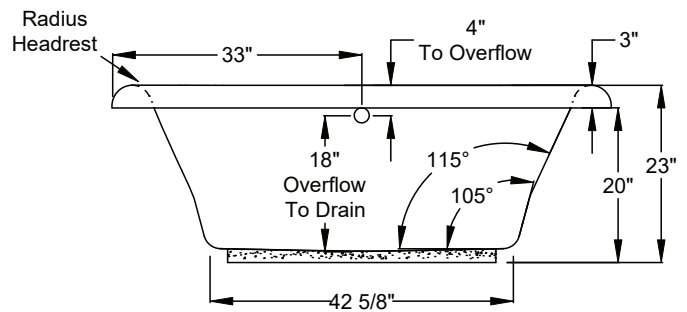
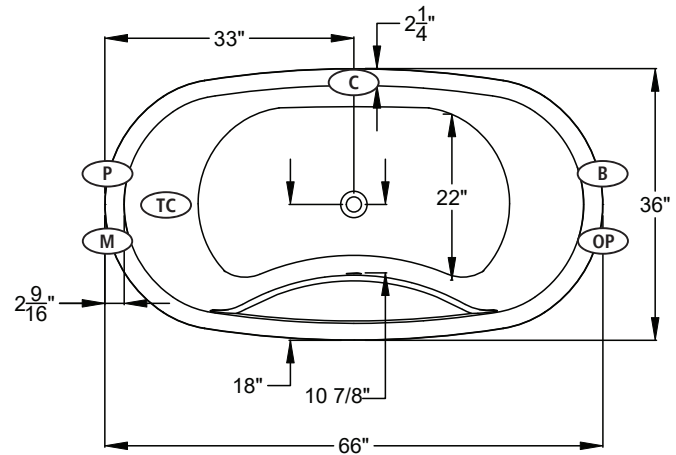
TEXTURED FLOOR: No

<div style="text-align: center;"> S SOAKING <small>Includes Level-Form™ Base</small> </div> <div style="text-align: center; font-size: 24pt; font-weight: bold;">\$3,100</div> <div style="text-align: center; font-size: 18pt; font-weight: bold;">(2206.00.00.CC)</div>		<small>All hydrotherapy equipment is rated for 120V, 20A (US) Consult Spec Sheet on website for Boxed Weight & Cube. .CC = Color Code / See page 155 for color options.</small> Operating Cap: 41 U.S. Gal.		STANDARD <small>Includes:</small> <ul style="list-style-type: none"> • 120V Systems • Touch Control Pad • 20-minute timer 	PREMIER <small>All Standard features plus:</small> <ul style="list-style-type: none"> • Ozone • Digital Control Pad • LED Chromatherapy
		W WHIRLPOOL	Includes 6 adjustable jets with pump unit indicated.	\$6,240 <small>(2202.00.11.CC)</small>	\$7,460 <small>with Whirlpool heater (2202.00.15.CC)</small>
a AIRMASSEUR[®]	Includes 35 strategically located air jets, 1hp blower w/ heater.	\$6,340 <small>(2202.00.21.CC)</small>	\$7,560 <small>(2202.00.25.CC)</small>		
m MICROSILK[®]	Includes 1 MicroSilk delivery port, MicroSilk unit.	\$6,100 <small>(2202.00.61.CC)</small>	\$7,320 <small>(2202.00.65.CC)</small>		
aw AIRMASSEUR[®] WHIRLPOOL	Includes 6 adjustable jets and 35 air jets; 1.5 hp pump; 1hp blower w/ heater. Combines all features provided with both W & a equipped Standard or Premier baths, respectively.	\$8,180 <small>(2202.00.31.CC)</small>	\$9,400 <small>with Whirlpool heater (2202.00.35.CC)</small>		
mw MICROSILK[®] WHIRLPOOL	Includes 6 adjustable jets and 1 MicroSilk delivery port; MicroSilk unit; 1.5 hp pump. Combines all features provided with both W & m equipped Standard or Premier baths, respectively.	\$9,235 <small>(2202.00.71.CC)</small>	\$10,455 <small>with Whirlpool heater (2202.00.75.CC)</small>		
ma MICROSILK[®] AIRMASSEUR[®]	Includes 1 MicroSilk delivery port, 35 strategically located air jets; MicroSilk unit; 1hp blower w/ heater. Combines all features provided with both a & m equipped Standard or Premier baths, respectively.	\$9,340 <small>(2202.00.81.CC)</small>	\$10,560 <small>(2202.00.85.CC)</small>		

Designer
DROP-IN



Faucetry Deck Flat Dimensions



Bath Options

For handle information, see page 127.
For details & additional options, see page 128-130.

GH20 HANDLE - Factory installed. Accepts 1 handle across from overflow.	8709-24-0CC	\$240
JETTED NECK PILLOW - Page 128 W MW	8707-50-0CC	\$1,145
BACKSTACK™ JETS - Page 128 W MW	8707-30-001	\$930
BLUETOOTH SOUND IMMERSION SYSTEM - Page 128	8724-01-000	\$835
WATER LEVEL SENSOR - Page 128	8724-02-000	\$1,030
THERMO COMFORT - Page 129	8706-04-XXX	\$840
MICROSILK SHOWER WAND - Page 129	Polished Chrome 8705-55-091	\$505
DESIGNER OVERFLOW DRAIN KITS - For finish options, see Page 129.	Polished Chrome DDK-PC	\$160
	Optional Finishes DDK-XX	\$275

- C Control Location
 - M MicroSilk[®] Unit Location
 - P Whirlpool Pump Location
 - B Blower Location
 - TC Thermo Comfort Heating Pad Location
 - OP Optional pump location available on W only. Please designate pump location.
- 1 set of
Back-Stack™ jets
on W MW
(Optional)