

	Bath Prefix - (SL) 3128.4 = Skirt Left (SR) 3128.5 = Skirt Right		with Integral Skirt & Tile Lip
(M) MICROSILK [®]	\$5,790		
	(SL) = (3128.41.67.CC)	(SR) = (3128.51.67.CC)	
(A) AIRMASSEUR [®]	\$5,025		
	(SL) = (3128.41.27.CC)	(SR) = (3128.51.27.CC)	
(W) WHIRLPOOL	\$4,325		
	(SL) = (3128.41.17.CC)	(SR) = (3128.51.17.CC)	
(S) SOAKING	\$2,435		
	(SL) = (3128.40.00.CC)	(SR) = (3128.50.00.CC)	



Removable access panel not provided with soaking baths.

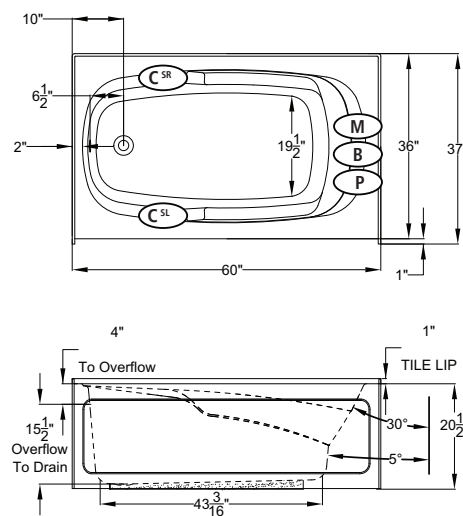
Please specify when ordering

- **Color:** CC = Acrylic Color Code:
Standard Colors White-WT (01), Bisquite-BQ (40).

- (M) MicroSilk[®] Unit Location (P) Pump Location
(B) Blower Location (C) Control Location

*Control Air Switch will be opposite the tile lip.

Bath Options	For handle information, see page 149. For additional options and details, see page 150-152.			
LATERAL SKIRT - Page 153 Field Installed	WT	N/A	INCLUDED	
	BQ	N/A	INCLUDED	
GH20 GRIP HANDLES Field Installed. Accepts 2 handles. Price is per handle. If 1 handle is desired, indicate installation location.			\$240	
AUTOMATIC OZONE SYSTEM - Page 150	(M) (W)	OZONE-100	\$700	
	(A)	OZONE-200	\$700	
STAINLESS STEEL HEATER - Page 150	(W)	JT1000	\$455	
OVERFLOW DRAIN ASSEMBLY - Page 151 (Group BE)	WT	8705-15-001	\$275	
	BQ	8705-15-040	\$275	
	Polished Chrome	8705-15-091	\$160	
	Polished Nickel	8705-15-092	\$275	
	Brushed Nickel	8705-15-095	\$275	
Oil Rubbed Bronze	8705-15-098	\$275		
MICROSILK SHOWER WAND - Page 151	(M)	Polished Chrome	8705-51-091	\$505
TILE FLANGE KIT - Page 151 (Group BE)		N/A	N/A	



Feature Information	
(M)	<ul style="list-style-type: none"> • 120V MicroSilk[®] System - Air on/off control with a 20 minute timer • Includes 1 MicroSilk[®] delivery port
(A)	<ul style="list-style-type: none"> • 3/4 hp, 120V blower - Air on/off control with 20-minute timer & purge • 38 strategically located air jets • 20-minute timer with purge cycle
(W)	<ul style="list-style-type: none"> • 1 hp, 120V pump - Air on/off control • Includes 5 adjustable jets and 2 foot jets.
Consult Spec Sheet on website for Boxed Weight & Cube. Operating Cap: 37 U.S. Gal. 120V, 20A (US)	