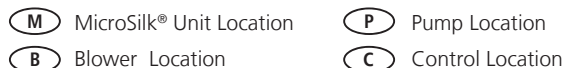
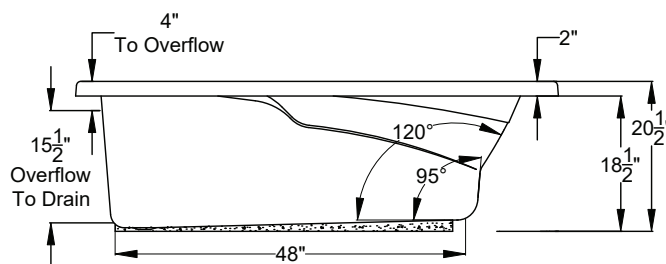
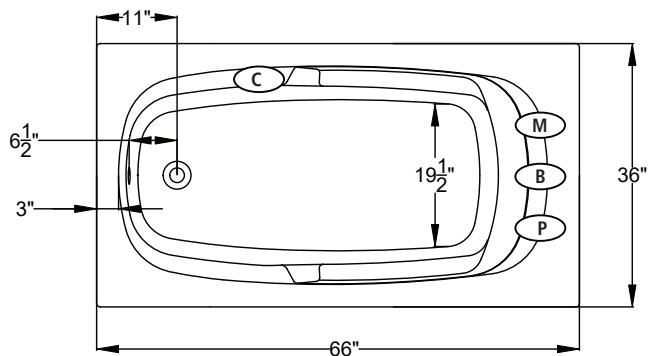


UNDERMOUNTABLE: Yes

FAUCETRY DECK: No

TEXTURED FLOOR: Yes

(S) SOAKING <small>Includes Level-Form™ Base</small>	\$2,600 (3146.00.00.CC)	<small>All hydrotherapy equipment is rated for 120V, 20A (US) Consult Spec Sheet on website for Boxed Weight & Cube. .CC = Color Code / See page 155 for color options.</small> Operating Cap: 37 U.S. Gal.	
(W) WHIRLPOOL	<ul style="list-style-type: none"> 1 hp, 120V pump - Air on/off control Includes 5 adjustable jets 		\$3,895 (3146.00.17.CC)
(a) AIRMASSEUR[®]	<ul style="list-style-type: none"> ¾ hp, 120V blower - Air on/off control with 20-minute timer & purge 44 strategically located air jets 20-minute timer with purge cycle 		\$4,425 (3146.00.27.CC)
(m) MICROSILK[®]	<ul style="list-style-type: none"> 120V MicroSilk[®] System - Air on/off control with a 20-minute timer Includes 1 MicroSilk[®] delivery port 		\$4,500 (3146.00.67.CC)



Bath Options

For handle information, see page 127.
For additional options and details, see page 128-130.

LATERAL SKIRT - Page 131 Field Installed	WT	8700-02-001	\$1,165
	BQ	8700-02-040	\$1,165
GH20 GRIP HANDLES	Factory Installed. Accepts 2 handles. Price is per handle. If 1 handle is desired, indicate installation location.		\$240
AUTOMATIC OZONE SYSTEM - Page 128	(W) (m)	OZONE-100	\$700
	(a)	OZONE-200	\$700
STAINLESS STEEL HEATER - Page 128	(W)	8706-11-106	\$455
OVERFLOW DRAIN ASSEMBLY - Page 129 (Group BE)	WT	8705-15-001	\$275
	BQ	8705-15-040	\$275
	Polished Chrome	8705-15-091	\$160
	Polished Nickel	8705-15-092	\$275
	Brushed Nickel	8705-15-095	\$275
	Oil Rubbed Bronze	8705-15-098	\$275
MICROSILK SHOWER WAND - Page 129	Polished Chrome	8705-55-091	\$505
TILE FLANGE KIT - Page 129		8707-11-001	\$190

Integrity[®]
DROP-IN