

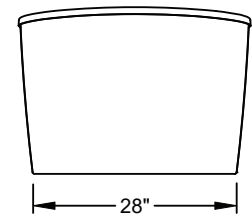
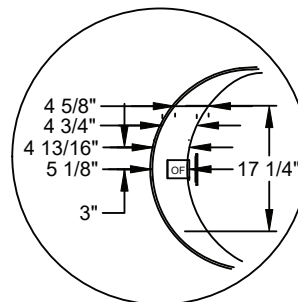
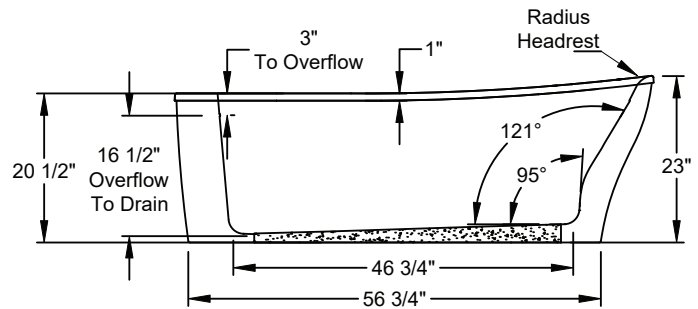
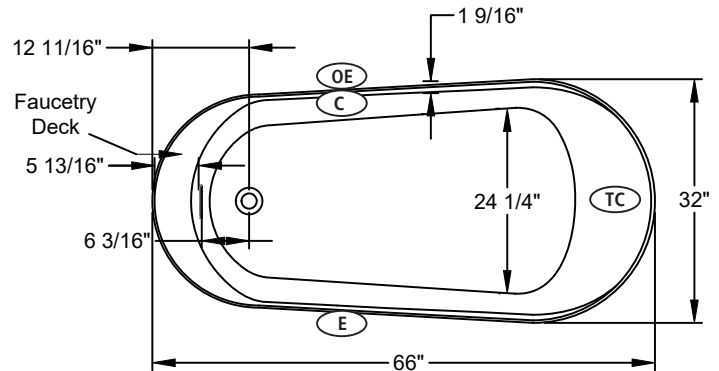
UNDERMOUNTABLE: No

FAUCETRY DECK: Yes

TEXTURED FLOOR: No

Designer
FREESTANDING

<p>(S) SOAKING Includes Level-Form™ Base</p>	<p>\$5,505 (1203.04.00.CC)</p>	<p>All hydrotherapy equipment is rated for 120V, 20A (US) Consult Spec Sheet on website for Boxed Weight & Cube. .CC = Color Code / See page 155 for color options. Operating Cap: 39 U.S. Gal.</p>		<p>STANDARD Includes: • Linear Overflow Drain • Touch Control Pad • 20-minute timer</p>	<p>PREMIER All Standard features plus: • Ozone • Digital Control Pad • LED Chromotherapy</p>
	<p>(a) AIRMASSEUR®</p>	<p>Includes 43 strategically located air jets, 1hp blower w/ heater.</p>	<p>\$8,745 (1203.04.21.CC)</p>	<p>\$9,965 (1203.04.25.CC)</p>	
	<p>(m) MICROSILK®</p>	<p>Includes 1 MicroSilk delivery port, MicroSilk unit.</p>	<p>\$9,205 (1203.04.61.CC)</p>	<p>\$10,425 (1203.04.65.CC)</p>	



Faucetry Deck
Flat Dimensions

- (C)** Control Location
- (E)** Equipment Cabinet
- (TC)** Thermo Comfort Heating Pad Location
- (OE)** Equipment Cabinet (Optional Location)



The Acrylic Equipment Cabinet is required on MicroSilk® baths and unavailable for the AirMasseur® version of the this model.

Bath Options		For handle information, see page 127. For details & additional options, see page 128-130.	
ACRYLIC HANDLE			N/A
ACRYLIC EQUIPMENT CABINET - Page 129	8701-20-0CC		N/A
BLUETOOTH SOUND IMMERSION SYSTEM - Page 128	8724-01-000		\$835
WATER LEVEL SENSOR - Page 128	8724-02-000		\$1,030
THERMO COMFORT - Page 129 (S) (m)	8706-04-XXX		\$840
MICROSILK SHOWER WAND - Page 129	Polished Chrome 8705-55-091		\$505
LINEAR OVERFLOW DRAIN KITS - For finish options, see Page 129.	Polished Chrome	MLD-PC	Included
	Optional Finishes	MLD-XX	ADD \$120