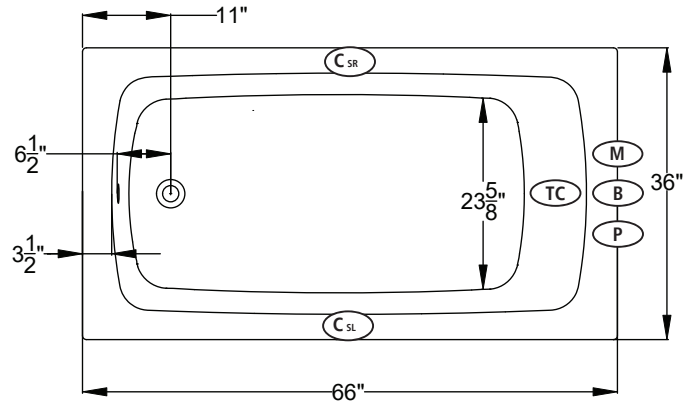


UNDERMOUNTABLE: No

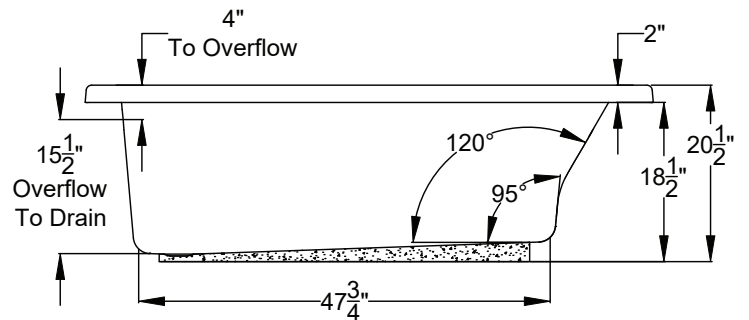
FAUCETRY DECK: No

TEXTURED FLOOR: No

<div style="text-align: center;"> <span style="border: 1px solid black; border-radius: 50%; padding: 2px;">S</span>  <b>SOAKING</b>  <small>Includes Level-Form™ Base</small> </div>		<div style="text-align: center;"> <b>\$3,525</b>                      SL = (2187.40.00.CC)                      SR = (2187.50.00.CC)                 </div>	All hydrotherapy equipment is rated for 120V, 20A (US) Consult Spec Sheet on website for Boxed Weight & Cube. .CC = Color Code / See page 155 for color options. <b>Operating Cap: 48 U.S. Gal.</b>	STANDARD	PREMIER
				Includes: • 120V Systems • Touch Control Pad • 20-minute timer	All Standard features plus: • Ozone • Digital Control Pad • LED Chromatherapy
<div style="text-align: center;"> <span style="border: 1px solid black; border-radius: 50%; padding: 2px;">W</span>                      WHIRLPOOL                 </div>	Includes 5 adjustable jets and 2 foot jets with pump unit indicated.		<b>\$6,665</b> SL = (2187.40.11.CC) SR = (2187.50.11.CC)	<b>\$7,885</b> with Whirlpool heater SL = (2187.40.15.CC) SR = (2187.50.15.CC)	
<div style="text-align: center;"> <span style="border: 1px solid black; border-radius: 50%; padding: 2px;">a</span>                      AIRMASSEUR<sup>®</sup> </div>	Includes 44 strategically located air jets, 1hp blower w/ heater.		<b>\$6,765</b> SL = (2187.40.21.CC) SR = (2187.50.21.CC)	<b>\$7,985</b> SL = (2187.40.25.CC) SR = (2187.50.25.CC)	
<div style="text-align: center;"> <span style="border: 1px solid black; border-radius: 50%; padding: 2px;">m</span>                      MICROSILK<sup>®</sup> </div>	Includes 1 MicroSilk delivery port, MicroSilk unit.		<b>\$6,525</b> SL = (2187.40.61.CC) SR = (2187.50.61.CC)	<b>\$7,745</b> SL = (2187.40.65.CC) SR = (2187.50.65.CC)	
<div style="text-align: center;"> <span style="border: 1px solid black; border-radius: 50%; padding: 2px;">aw</span>                      AIRMASSEUR<sup>®</sup>                      WHIRLPOOL                 </div>	Includes 5 adjustable jets, 2 foot jets and 44 air jets; 1.5 hp pump; 1hp blower w/ heater. Combines all features provided with both (a) & (w) equipped Standard or Premier baths, respectively.		<b>\$8,605</b> SL = (2187.40.31.CC) SR = (2187.50.31.CC)	<b>\$9,825</b> with Whirlpool heater SL = (2187.40.35.CC) SR = (2187.50.35.CC)	

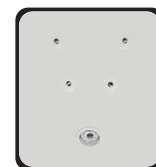


End-Access Required.  
Order Removable Access Panel for Front Access.



\*Blower must be remote mounted on Air-Whirlpool baths.  
See page 130 for remote blower mounting.

- C Control Location
- M MicroSilk<sup>®</sup> Unit Location
- P Whirlpool Pump Location
- B Blower Location
- TC Thermo Comfort Heating Pad Location



1 set of Back-Stack™ jets on (W) (Optional)

Bath Options		For handle information, see page 127. For details & additional options, see page 128-130.	
GH400 HANDLE - Factory installed. <small>Accepts 2 handles. Price is per handle. If ordering 1 handle, indicate handle installation.</small>		8709-04-0CC	\$315
JETTED NECK PILLOW - Page 128 <span style="border: 1px solid black; border-radius: 50%; padding: 2px;">W</span>		8707-50-0CC	\$1,145
BACKSTACK™ JETS - Page 128 <span style="border: 1px solid black; border-radius: 50%; padding: 2px;">W</span>		8707-30-001	\$930
BLUETOOTH SOUND IMMERSION SYSTEM - Page 128		8724-01-000	\$835
WATER LEVEL SENSOR - Page 128		8724-02-000	\$1,030
THERMO COMFORT - Page 129 <span style="border: 1px solid black; border-radius: 50%; padding: 2px;">S</span> <span style="border: 1px solid black; border-radius: 50%; padding: 2px;">W</span> <span style="border: 1px solid black; border-radius: 50%; padding: 2px;">m</span>		8706-04-XXX	\$840
MICROSILK SHOWER WAND - Page 129	Polished Chrome	8705-55-091	\$505
DESIGNER OVERFLOW DRAIN KITS - <small>For finish options, see Page 129.</small>	Polished Chrome	DDK-PC	\$160
	Optional Finishes	DDK-XX	\$275
TILE FLANGE KIT - Page 129		8707-11-001	\$190
REMOVABLE FRONT ACCESS PANEL - Page 131 <small>Factory Installed</small>		8700-08-0CC	\$650