

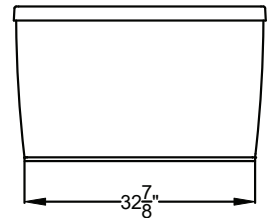
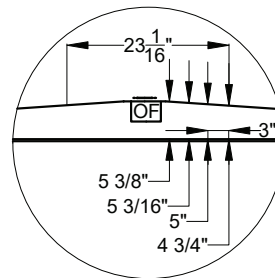
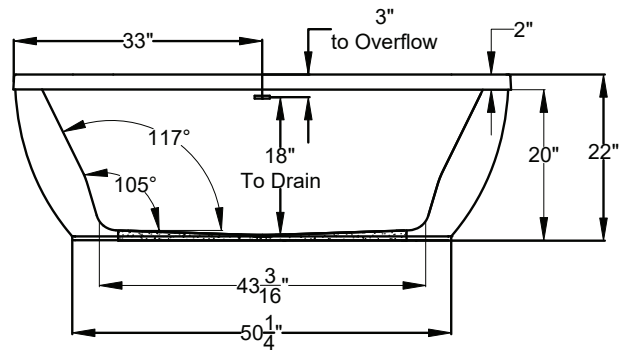
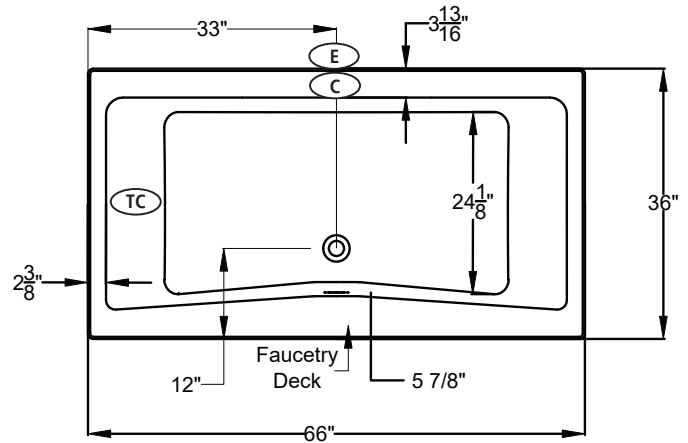
UNDERMOUNTABLE: No

FAUCETRY DECK: Yes

TEXTURED FLOOR: No

(S) SOAKING <small>Includes Level-Form™ Base</small>	\$5,555 (1193.06.00.CC)	<small>All hydrotherapy equipment is rated for 120V, 20A (US) Consult Spec Sheet on website for Boxed Weight & Cube. .CC = Color Code / See page 155 for color options.</small> Operating Cap: 45 U.S. Gal.	STANDARD <small>Includes:</small> <ul style="list-style-type: none"> • Linear Overflow Drain • Touch Control Pad • 20-minute timer 	PREMIER <small>All Standard features plus:</small> <ul style="list-style-type: none"> • Ozone • Digital Control Pad • LED Chromatherapy
			\$8,795 (1193.06.21.CC)	\$10,015 (1193.06.25.CC)
(a) AIRMASSEUR®	Includes 48 strategically located air jets, 1hp blower w/ heater.		\$9,255 (1193.06.61.CC)	\$10,475 (1193.06.65.CC)
(m) MICROSILK®	Includes 1 MicroSilk delivery port, MicroSilk unit.			

Designer
FREESTANDING



Faucetry Deck
Flat Dimensions

- (C)** Control Location
- (E)** Equipment Cabinet
- (TC)** Thermo Comfort Heating Pad Location



The Acrylic Equipment Cabinet is required on MicroSilk® baths and is available as an option on Airmasser® baths.

Bath Options		<small>For handle information, see page 127. For details & additional options, see page 128-130.</small>	
GH400 HANDLE - Factory installed. <small>Accepts 1 handle across from overflow.</small>	8709-04-0CC		\$315
ACRYLIC EQUIPMENT CABINET - Page 129 (a)	8701-21-0CC		\$1,025
BLUETOOTH SOUND IMMERSION SYSTEM - Page 128	8724-01-000		\$835
WATER LEVEL SENSOR - Page 128	8724-02-000		\$1,030
THERMO COMFORT - Page 129 (S) (a) (m)	8706-04-XXX		\$840
MICROSILK SHOWER WAND - Page 129	Polished Chrome	8705-55-091	\$505
LINEAR OVERFLOW DRAIN KITS - <small>For finish options, see Page 129.</small>	Polished Chrome	MLD-PC	Included
	Optional Finishes	MLD-XX	ADD \$120