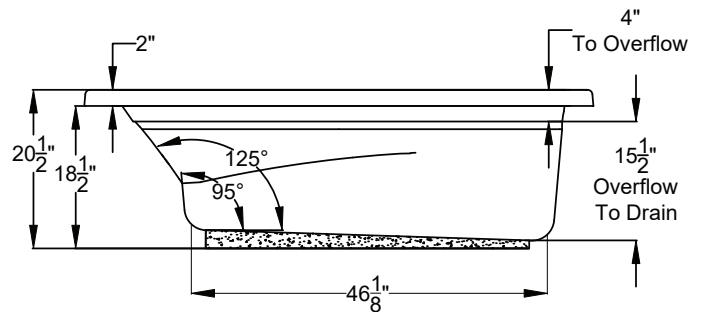
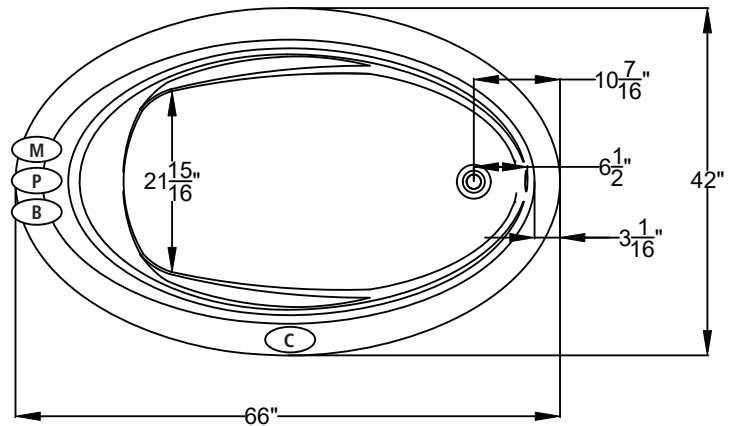


UNDERMOUNTABLE: Yes

FAUCETRY DECK: No

TEXTURED FLOOR: Yes

<b>(S)</b> <b>SOAKING</b> <small>Includes Level-Form™ Base</small>	<b>\$2,710</b> <b>(3180.00.00.CC)</b>	<small>All hydrotherapy equipment is rated for 120V, 20A (US)          Consult Spec Sheet on website for Boxed Weight &amp; Cube.          .CC = Color Code / See page 155 for color options.</small> <b>Operating Cap: 46 U.S. Gal.</b>	
<b>(W)</b> <b>WHIRLPOOL</b>	<ul style="list-style-type: none"> <li>• 1 hp, 120V pump - Air on/off control</li> <li>• Includes 5 adjustable jets</li> </ul>		<b>\$4,005</b> <b>(3180.00.17.CC)</b>
<b>(a)</b> <b>AIRMASSEUR®</b>	<ul style="list-style-type: none"> <li>• ¾ hp, 120V blower - Air on/off control with 20-minute timer &amp; purge</li> <li>• 38 strategically located air jets</li> <li>• 20-minute timer with purge cycle</li> </ul>		<b>\$4,535</b> <b>(3180.00.27.CC)</b>
<b>(m)</b> <b>MICROSILK®</b>	<ul style="list-style-type: none"> <li>• 120V MicroSilk® System - Air on/off control with a 20-minute timer</li> <li>• Includes 1 MicroSilk® delivery port</li> </ul>		<b>\$4,610</b> <b>(3180.00.67.CC)</b>



**Bath Options**

For handle information, see page 127.  
For additional options and details, see page 128-130.

<b>LATERAL SKIRT</b> - Page 131 Field Installed	WT	N/A	N/A
	BQ	N/A	N/A
<b>GH20 GRIP HANDLES</b>	Factory Installed. Accepts 2 handles. Price is per handle. If 1 handle is desired, indicate installation location.		\$240
<b>AUTOMATIC OZONE SYSTEM</b> - Page 128	(W) (m)	OZONE-100	\$700
	(a)	OZONE-200	\$700
<b>STAINLESS STEEL HEATER</b> - Page 128	(W)	8706-11-106	\$455
<b>OVERFLOW DRAIN ASSEMBLY</b> - Page 129 (Group BE)	WT	8705-15-001	\$275
	BQ	8705-15-040	\$275
	Polished Chrome	8705-15-091	\$160
	Polished Nickel	8705-15-092	\$275
	Brushed Nickel	8705-15-095	\$275
<b>MICROSILK SHOWER WAND</b> - Page 129	Polished Chrome	8705-55-091	\$505
	Oil Rubbed Bronze	8705-15-098	\$275
<b>TILE FLANGE KIT</b> - Page 129		8707-11-001	N/A

- (M) MicroSilk® Unit Location
- (P) Pump Location
- (B) Blower Location
- (C) Control Location

Integrity®  
DROP-IN